

**Owner's Manual
And
Assembly Instructions**



Palo Duro

Model 1-AP020

02/15/05



Adventure Playsets

Amarillo Texas 79119

.....

**Thank you for purchasing an
Adventure Playsets Playcenter.
We hope it will bring you and
your children many years of safe and enjoyable
backyard fun.**

.....

Table of Contents

Letter to Customer	1
Positioning Your Playcenter	2
Tools Required for Assembly	2
Helpful Installation Hints	3
Suggested Playground Surfacing	4
Operating Instructions	5
Maintenance Instructions	6
Disposal Instructions	6
CPSC Information Sheet	7
Assembly Instructions	9
Frequently Asked Questions	32
Customer Notes	33
Limited Warranty	35
Warranty Claim Procedure	36
Customer Registration Card	37

.....

**Your owner's manual should be read carefully
before starting assembly.**

Dear Customer:

Thank you for purchasing an Adventure Playsets Playcenter. We hope it will bring you and your children many years of safe and enjoyable backyard fun. Adventure Playsets equipment is recommended for use by **children 3 to 10 years of age**. Adventure Playsets structures are **not intended for public use. Adventure Playsets does not warranty any of its residential structures subjected to commercial use.**

Please follow all recommendations below. **Failure to do so may result in the warranty being void and/or safety violation; that could result in serious injury.** The following information has been provided to help you in your installation, continued satisfaction, and safe operation of your Adventure Playsets purchase. Always keep the safety of your children in mind as your play structure is being built and as your children play on the set. **Children must not use the Playcenter until completely assembled and properly installed and anchored to prevent serious injury.** Before your children play on the set please review the Operation Instructions with them to help ensure their safety.

PLEASE RETAIN THESE INSTRUCTIONS FOR FUTURE REFERENCE. KEEP THEM IN A SAFE PLACE WHERE YOU CAN REFER TO THEM AS NEEDED.

General Information:

Manufacturer Adventure Playsets **Vendor:** _____
14201 Interstate 27 _____
Amarillo, TX 79119 _____
Ph. #: 1-800-856-4445 _____
Fax: 806-622-1515 _____
E-mail – custservice@adventureplaysets.com

Unit Type:

Unit Name: The Palo Duro Revision Date: 12-16-04
Unit Model Number: 1-AP020
Instruction Manual Information

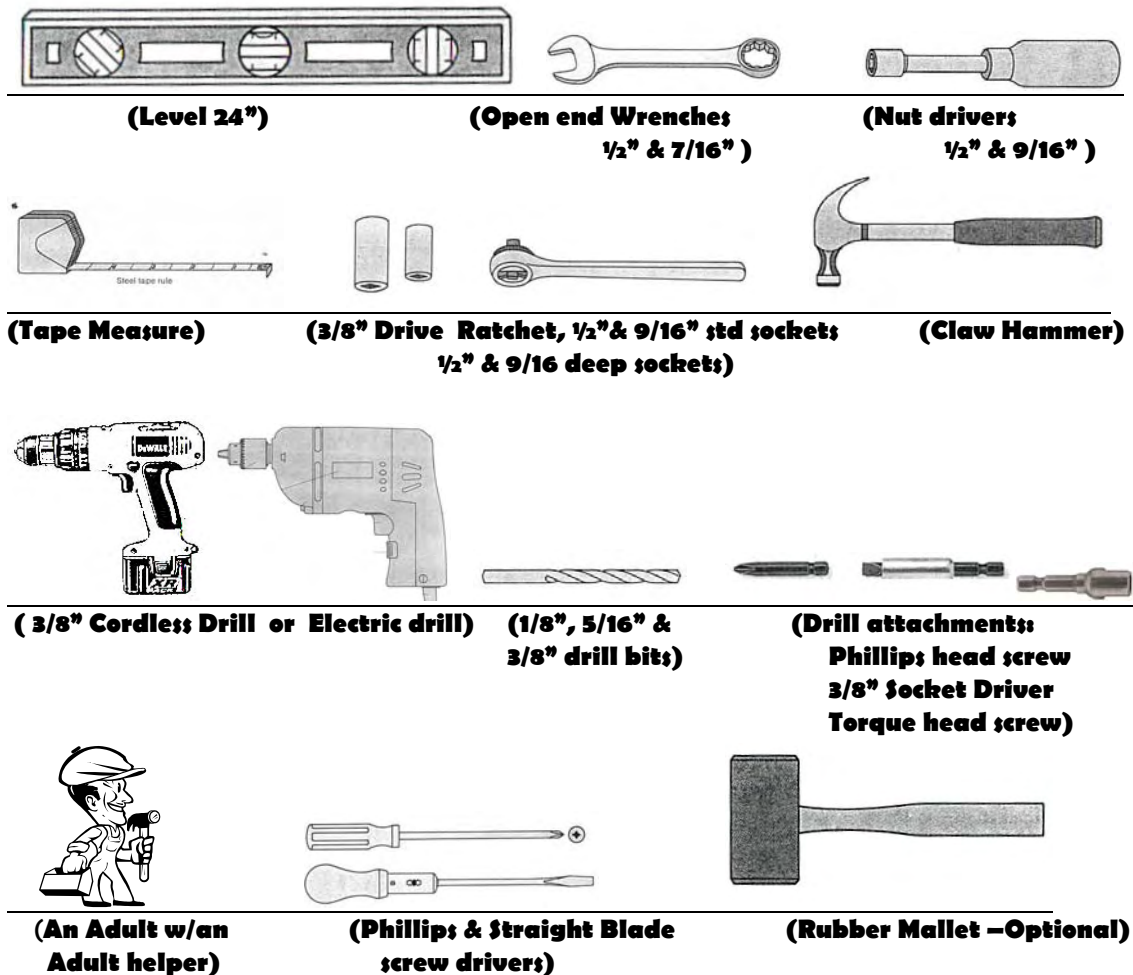
Maximum Fall Height: 8'-4"

The instructions and owner's manual for your new Playcenter should be read in its entirety before assembly, to minimize problems and safety issues. We recommend reading the owner's manual thoroughly after you have identified all of the parts for your Playcenter as discussed in the Helpful Installations Hints section below.

Positioning Your Play center

1. The Playcenter is designed to be installed on a level surface **by an Adult with an Adult helper**. Try to place in a flat area of your yard to minimize ground preparation.
2. Place the equipment not less than 6 ft from any structure or obstruction such as a fence, garage, house, overhanging branches, laundry lines, or electrical wires.
3. It is a good idea to place your Playcenter in an area that is convenient for adults to watch children at play.
4. The area that you choose should be policed for glass, rocks or anything jagged or sharp that could endanger your children's safety. The surface underneath your play system can cause or prevent injuries. We have additional suggestions in the Suggested Playground Surfacing Section.
5. Do not build your playset on top of surfacing material.

Tools Required for Installation:



Helpful Installation Hints

1. Depending on your experience, assembly of this Play set should take approximately 6 to 12 hours after inventory of parts. Therefore, we recommend you set aside a full day for assembly.
2. Identify all of the parts for your Playcenter. Empty each box and lay out boards so you can see each part. Your instruction book will have detailed drawings that will make it easy for you to recognize individual parts. Keep all hardware and metal parts separate from wooden pieces.
3. After everything is laid out, check carefully to ensure all parts are present. Make sure there are no broken boards.
4. Find an area to sort your hardware. It is best to open the hardware on a solid surface so that you do not lose any pieces in the grass. This will save time and familiarize you with all the different pieces in the hardware bag.
5. Important note: Wood has some natural defects such as knots, surface cracks, etc... We reject parts that are structurally defective. We use a high quality lumber in our structures; however, you should inspect each part for splinters or rough spots and sand them smooth to prevent injury.
6. After steps 1 thru 4 have been completed, read all the way through the instructions completely. Reading instructions after you have studied the parts will help you understand more clearly the installation process, and help to eliminate unnecessary mistakes.
7. Pay close attention to the diameter and length of each bolt and screw. There will be different sizes in the same bag, so they must be sorted correctly.
8. Swing hangers should be buried past the threads, so that the loop is against the swing beam. Adventure Playsets is not responsible for incorrect installations of swing hangers. Failure to properly install swing hangers may cause severe injury.
9. Never tighten hardware completely at first. It helps to have some adjustment for bolt alignment while you are attaching parts together. After everything is square, tighten each joint.
10. After the main unit is assembled it is critical that the floor is level and square. If the main frame is not level, the walls and floor will be out of square.
11. After you complete installation, make sure every bolt, screw, and nut is tight, and every board is secure. Wood will expand and contract with the seasons. Check all bolt connections and swing hangers every two weeks.
12. Place the set on level ground, not less than 6ft from any structure or obstruction such as a fence, garage, house, overhanging branches, laundry lines, or electrical wires.

NOMINAL MATERIAL SIZES			
NAMED SIZE		TRUE SIZE	
Imperial (")	Metric (mm)	Imperial (")	Metric (mm)
1x6	2.5x15.3	3/4x5x1/2	1.9x14
5/4x4	3.2x10.2	1x3 1/2	2.5x9
5/4x6	3.2x15.3	1x5 1/2	2.5x14
2x2	5x5	1 1/2x1 1/2	3.8x3.8
2x3	5x7.6	1 1/2x2 1/2	3.8x6.4
2x4	5x10	1 1/2x3 1/2	3.8x9
2x6	5x15.3	1 1/2x5 1/2	3.8x14
4x4	10x10	3 1/2x3 1/2	9x9

Estimated Sizing Due to Molding of Wood

READ! VERY IMPORTANT!

If you are missing parts or have questions regarding the installation of our quality product PLEASE call us directly at the factory **(1-800-856-4445)**. Our trained staff will be happy to assist you.

Customer service hours:
Monday thru Friday 9am to 5pm
Saturday 9am to 2pm
Central Standard Time.

E-mail: custservice@adventureplaysets.com

ATTENTION, UK CUSTOMERS

We thank you for purchasing our excellent quality play equipment. We are sure that you will be satisfied with your selection. However, should you experience any problems or require any advice, do not return the item to the store, please contact our European Customer Service Number below. To ensure a prompt and efficient handling of your query please have your assembly instructions ready when you call.



Tel: 08700 170580 or email us at info@plumproducts.com

Suggested Playground Surfacing

- ❑ Playground equipment should never be placed on hard surfaces such as concrete or asphalt.
- ❑ Shredded bark mulch, wood chips, fine sand and fine gravel, are added as shock absorbing materials after assembly. If used properly these materials can absorb some of the impact of a child's fall.
- ❑ All surface material should extend a minimum of 6 feet in all directions around the play area.

The following chart explains the fall height in feet from which a life threatening head injury would not be expected

Critical Heights in feet (m) of Tested Materials

Material	Uncompressed Depth			Compressed Depth
	6" (152mm)	9" (228mm)	12" (304mm)	to 9" (228mm)
Wood Chips	7' (2.13m)	10' (3.05m)	11' (3.35m)	10' (3.05m)
Double-Shredded bark mulch	6' (1.83m)	10' (3.05m)	11' (3.35m)	7' (2.13m)
Engineered Wood Fibers	6' (1.83m)	7' (2.13m)	>12' (3.66m)	6' (1.83m)
Fine Sand	5' (1.52m)	5' (1.52m)	9' (2.74m)	5' (1.52m)
Coarse Sand	5' (1.52m)	5' (1.52m)	6' (1.83m)	4' (1.22m)
Fine Gravel	5' (1.52m)	7' (2.13m)	10' (3.05m)	6' (1.83m)
Medium Gravel	5' (1.52m)	5' (1.52m)	6' (1.83m)	5' (1.52m)
Shredded Tires*	10-12' (3.0-3.6m)	N/A	N/A	N/A

*This data is from tests conducted by independent testing laboratories on a 6-inch depth of uncompressed shredded tire samples produced by four manufacturers. The tests reported critical heights, which varied from 10 feet to greater than 12 feet. It is recommended that persons seeking to install shredded tires as a protective surface request test data from the supplier showing the critical height of the material when it was tested in accordance with ASTM F1292.

Operating Instructions:

NOTE: Your children's safety is our #1 concern. Observing the following statements and warnings reduces the likelihood of serious or fatal injury. Please review these safety rules regularly with your children.

1. This Playcenter is designed for the use of 3 occupants who have a combined weight not exceeding 280 pounds.
2. On-site adult supervision is **required**.
3. Instruct children **not** to walk close to, in front of, behind, or between moving swings or other moving playground equipment.
4. Instruct children to sit in and **never** stand on swings
5. Instruct children **not** to twist the chains and ropes and not to loop them over the top support bar, since this may reduce the strength of the chain or rope.
6. Instruct children **not** to jump from swings or other playground equipment in motion.
7. Instruct children to **not push** empty seats. The seat may hit them and cause serious injury.
8. Instruct and teach children to sit in the center of the swings with their full weight on the seats.
9. Instruct children **not** to use the equipment in a manner other than intended.
10. Instruct children to **always** go down slides feet first. Never slide headfirst.
11. Instruct children to **look** before they slide to make sure no one is at the bottom.
12. Instruct children to **never** run up a slide, as this increases their chances of falling.
13. The parents should have the children **dress appropriately** with well-fitting shoes. Loose clothing such as scarves and ponchos should not be worn. Always take off, tie up or tuck in cords and drawstrings on children's clothing. These things can get caught on playground equipment and strangle a child.
14. Instruct children **not** to climb when the equipment is wet.
15. Instruct children to **never** jump from a fort deck. They should always use the ladder, ramp or slide.
16. Instruct children to **never** crawl or walk across the top of monkey bars.
17. Instruct children to **never** crawl on top of a fort roof.
18. Verify that any suspended climbing ropes, chain, or cable are secured at both ends and that they cannot be looped back on it.
19. Instruct children **not** to attach items to the playground equipment that are not specifically designed for use with the equipment, such as, but not limited to, jump ropes, clothesline, pet leashes, cables and chain as they may cause a strangulation hazard.
20. Instruct children to **never** use Monkey Bar when swings or glider are in use.
21. Instruct children to **never** wrap their legs around swing chain.

Maintenance Instructions:

1. Check all nuts and bolts twice monthly during the usage season and tighten as required. (But not so tight that you crack the wood) We recommend you check the swing beam and hardware every two weeks due to wood expansion and contraction. It is particularly important that this procedure be followed at the beginning of each season.
2. Remove plastic swing seats and take indoors or do not use when the temperature drops below 32 °F.
3. Oil all metallic moving parts monthly during the usage period.
4. Check all coverings for bolts and sharp edges twice monthly during usage season to be certain they are in place. Replace when necessary. It is especially important to do this at the beginning of each new season.
5. Check swing seats, ropes, cables and chains monthly during usage season for evidence of deterioration. Replacement should be made of any swing seat that has developed cracks in the plastic seats or has exposed metal in the edges of the swing seat. If there are already exposed metal inserts on the edge of the seat, immediately remove the seats and chains to prevent serious injury. Ropes, cables and chains should be removed and replaced if excessive wear is found. Contact Adventure Playsets for replacement parts.
6. For rusted areas on metallic members such as monkey bars, hand supports, brackets, etc., sand and repaint, using a non lead-based paint meeting the requirements of Title 16 CRF Part 1303.
7. Inspect wood parts monthly. The grain of the wood sometimes will lift in the dry season causing splinters to appear. Light sanding may be necessary to maintain a safe playing environment. If you are treating your Playcenter with stain regularly, it will help prevent severe checking/splitting and other weather damage.
8. We recommend treating the wood components once or twice a year depending on the type of weather you have and when sanding has been required to maintain a good surface. We treat our wood with a waterborne transparent stain.
9. Creating and maintaining the Playcenter on a level location is very important. As your children play, your Playcenter will slowly dig its way into the soil, and it is very important that it settles evenly. Make sure the play set is level and true once each year or at the beginning of each play season.

Disposal Instructions:

When the Playcenter use is no longer desired, it should be disassembled and disposed of in such a way that no unreasonable hazards will exist at the time the unit is discarded.

APPENDIX A

Information on Playground Surfacing Materials

The following information is from the ***United States Consumer Product Safety Commission's Information Sheet for playground surfacing material***. Also see the following website for additional information:
www.cpsc.gov/cpscpub/pub/323.html.

X3. CONSUMER INFORMATION SHEET FOR PLAYGROUND SURFACING MATERIALS¹¹

X3.1 The U.S. Consumer Product Safety Commission (CPSC) estimates that about 100,000 playground equipment-related injuries resulting from falls to the ground surface are treated annually in U.S. hospital emergency rooms. Injuries involving this hazard pattern tend to be among the most serious of all playground injuries, and have the potential to be fatal, particularly when the injury is to the head. The surface under and around playground equipment can be a major factor in determining the injury-causing potential of a fall. It is self evident that a fall onto a shock-absorbing surface is less likely to cause a serious injury than a fall onto a hard surface. Playground equipment should never be placed on hard surfaces such as concrete or asphalt and while grass may appear to be acceptable it may quickly turn to hard packed earth in areas of high traffic. Shredded bark mulch, wood chips, fine sand or fine gravel are considered to be acceptable shock absorbing surfaces when installed and maintained at a sufficient depth under and around playground equipment.

X3.2 Table X3.1 lists the maximum height from which a child would not be expected to sustain a life-threatening head injury in a fall onto four different loose-fill surfacing materials if they are installed and maintained at depths of 6, 9, and 12 in. However, it should be recognized that all injuries due to falls cannot be prevented no matter what surfacing material is used.

X3.3 It is recommended that a shock absorbing material should extend a minimum of 6 ft in all directions from the perimeter of stationary equipment such as climbers and slides. However, because children may deliberately jump from a moving swing, the shock absorbing material should extend in the front and rear of a swing a minimum distance of 2 times the height of the pivot point measured from a point directly beneath the pivot on the supporting structure.

X3.4 This information is intended to assist in comparing the relative shock-absorbing properties of various materials. No particular material is recommended over another. However, each material is only effective when properly maintained. Materials should be checked periodically and replenished to maintain correct depth as determined necessary for your equipment. The choice of a material depends on the type and height of the playground equipment, the availability of the material in your area, and its cost.

¹¹This information has been extracted from the CPSC publications "Playground Surfacing — Technical Information Guide" and "Handbook for Public Playground Safety." Copies of these reports can be obtained by sending a postcard to: Office of Public Affairs, U.S. Consumer Product Safety Commission, Washington, D.C., 20207 or call the toll-free hotline: 1-800-638-2772.

The American Society for Testing and Materials takes no position respecting the validity of any parent right asserted in connection with any item mentioned in this standard. Users of this standard are expressly advised that determination of the validity of any such parent rights, and the risk of infringement of such rights, are entirely their own responsibility.

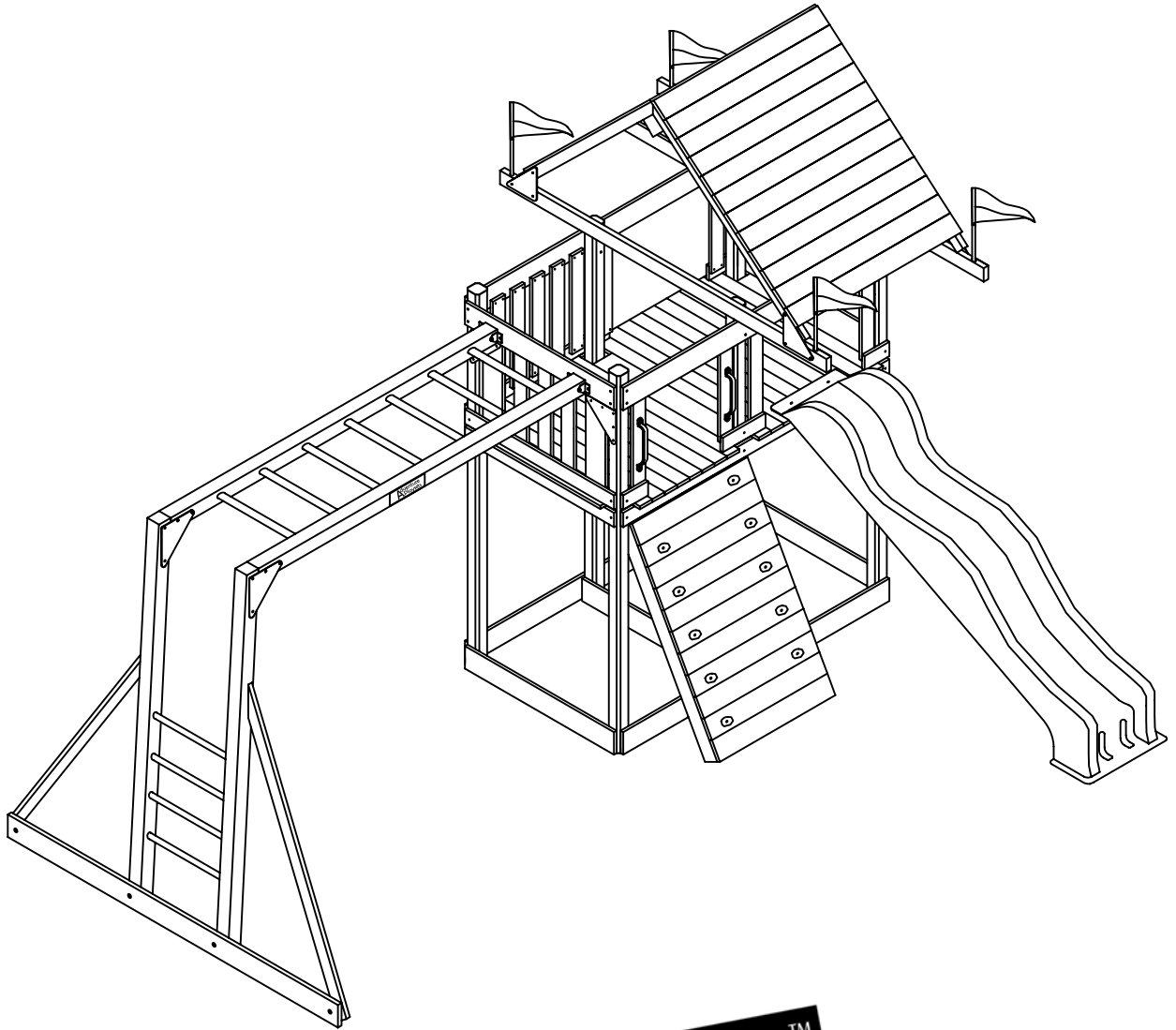
The standard is subject to revision at any time by the responsible technical committee and must be reviewed every five years and if not revised, either approved or withdrawn. Your comments are invited either for revision of this standard or for additional standards and should be addressed to ASTM Headquarters. Your comments will receive careful consideration at a meeting of the responsible technical committee, which you may attend. If you feel that your comments have not received a fair hearing you should make your views known to the ASTM Committee on Standards, 100 Barr Harbor Drive, West Conshohocken, PA 19428.

STOP...PLEASE READ!!

IF YOU HAVE ANY QUESTIONS OR ARE MISSING A PART, PLEASE DO NOT CONTACT THE RETAILER THAT YOU PURCHASED THIS PRODUCT FROM.

PLEASE CALL US DIRECTLY AT THE FACTORY, 1-800-856-4445, OUR TRAINED STAFF WILL ANSWER YOUR QUESTIONS AND OR EXPEDITE PARTS THAT YOU MAY NEED.

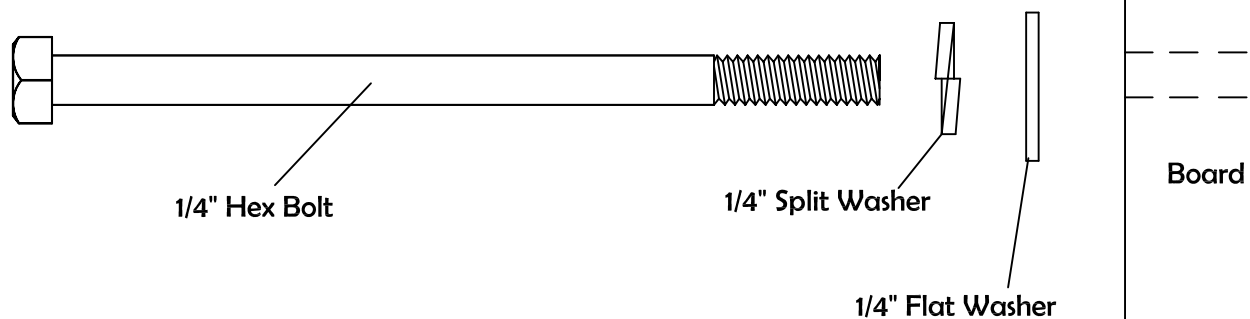
Palo Duro Assembly Instructions



BOLTING INSTRUCTIONS

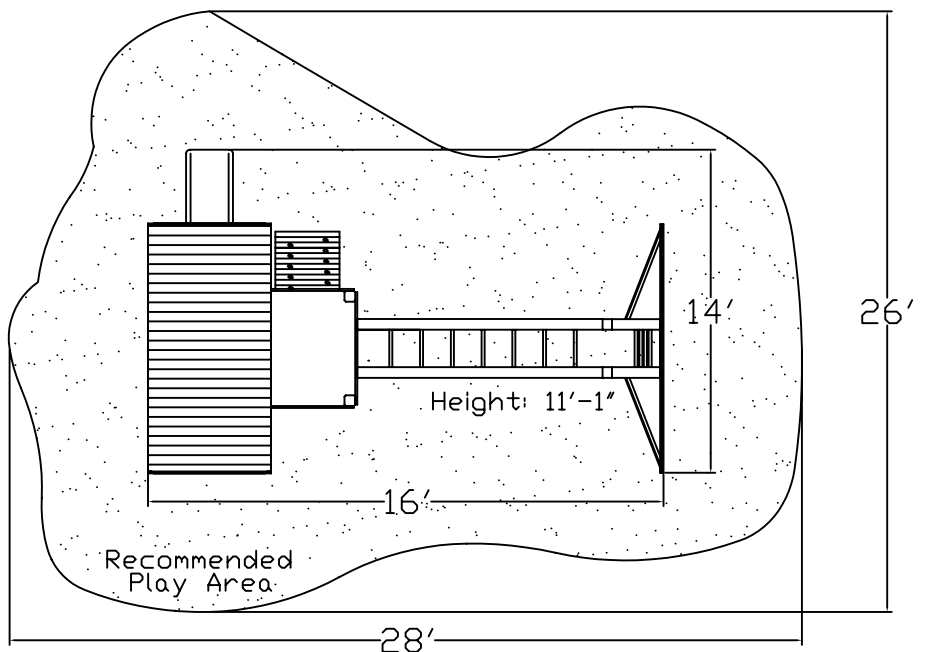
THROUGHOUT THESE INSTRUCTIONS, WHEN USING A BOLT WITH A T-NUT; A SPLIT WASHER AND FLAT WASHER MUST BE USED BETWEEN THE HEAD OF THE HEX BOLT & THE BOARDS BEING BOLTED.

USING THESE WASHERS WILL KEEP HEX BOLTS FROM LOOSENING FROM THE T-NUT AND GOING INTO THE BOARD. IF USING A 1/4" HEX BOLT, 1/4" WASHERS MUST BE USED AND IF USING A 5/16" HEX BOLT, 5/16" WASHERS MUST BE USED.

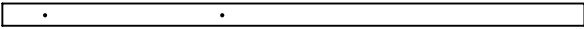



BASIC SETUP DIMENSIONS

Place the set on level ground, not less than 6ft from any structure or obstruction such as a fence, garage, house, overhanging branches, laundry lines, or electrical wires.





Parts Identification


(A) cranberry 4x4x92" upright---[6]
4PL1004 

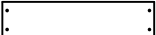
(B) 1x6x75" fort rail/sandbox board---[4]
4L1449-05 


(C) 1x6x42" fort rail/sandbox board---[4]
4L1281-05 


(D) 1x6x42" monkeybar rail---[1]
4L1059-05 


(E) 1x6x35 5/8" floor board---[3]
4L1283-05 

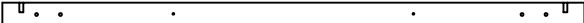
(F) 1x6x24" rockwall board---[10]
4L1087-05 

(G) 1x6x24" wall slat---[3]
4L1440-05 

(H) 1x6x17 1/4" deck ladder brace---[1]
4L1317-5 


(I) 1x6x5 1/2" starburst center ornament---[2]
4L1507-05 

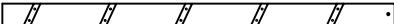
(J) 1x4x93" monkeybar ground beam---[1]
4L1062-05 


(K) 2x4x92" roof brace---[2]
4L1480-05 

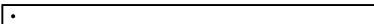
(L) 5/4x4x75 3/4" floor brace---[1]
4L1451-05 

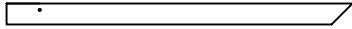
(M) 1x4x75" floor support---[2]
4L1450-05 

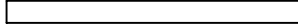
(N) 5/4x4x71" end ladder brace---[2]
4L1384-05 

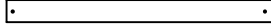
(O) 5/4x4x62" right ladder rail---[1]
4L1066-05 

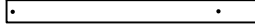
(P) 5/4x4x62" left ladder rail---[1]
4L1067-05 

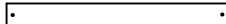
(Q) 5/4x4x59" rockwall brace---[2]
4L1368-04 

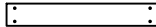
(R) 2x4x54 11/16" roof truss---[4]
4L1479-05 

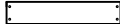
(S) 1x4x47" floor board---[2]
4L1405-05 


(T) 1x4x42" fort rail/floor support---[8]
4L1444-05 


(U) 1x4x40" wall rail---[1]
4L1453-05 

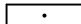
(V) 1x4x35 1/8" rockwall rail---[1]
4L1454-05 


(W) 1x4x24" wall slat---[19]
4L1052-05 

(X) 1x4x18" starburst horizontal slat---[2]
4L1512-05 

(Y) 5/4x4x16 1/4" cleat---[3]
4L1401-05 

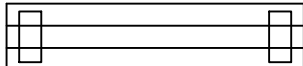
(Z) 2x4x16" deck ladder rung---[5]
4L504 

(AA) 1x4x12" center wall rail---[1]
4L1455-05 

(AB) 5/4x4x8" cleat---[5]
4L1403-05 

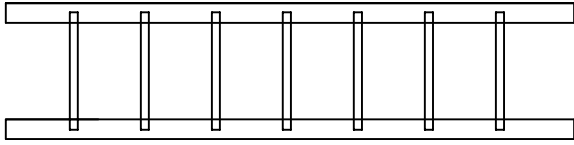
(AC) 1x4x7" corner wall rail---[3]
4L1446-05 

(AD) 47" floor/roof panel---[12]
2A1048-05 

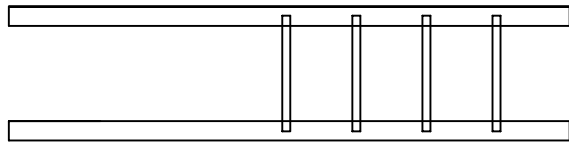
(AE) 47" picnic table panel---[3]
2A1053-05 

Parts Identification

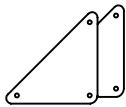
92" Rails/7 Rung Top Ladder Assembly (Cranberry) 2A1004



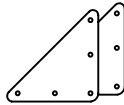
92" Rails/4 Rung End Ladder Assembly (Cranberry) 2A1005-05



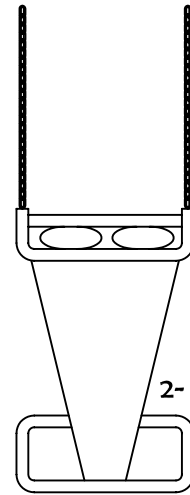
4- Roof braces - 4M1026-05



2- Mending plates - 4M1006



2- Glider chains - 6M017



2- Glider arms - 6P057

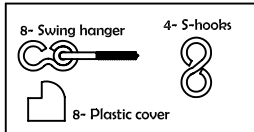
1-Glider seat - 6P023



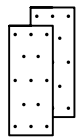
4- 58" Plastic coated chain - 4M091



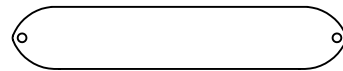
Swing hanger hardware bag - 6HB007



2- Metal roof plate - 6H066



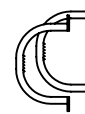
2- Swing seats - 6P001



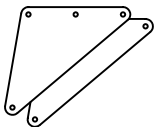
18- L-brackets - 4M032



2- Hand grips (pair) - 6P002



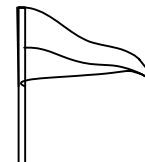
4-Triangle end ladder braces - 4M089



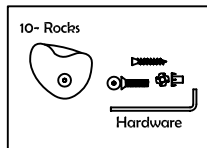
4- Plastic glider arm caps - 6P068



4- Flags w/ pole - 6F004



Rockwall bag - 6P056

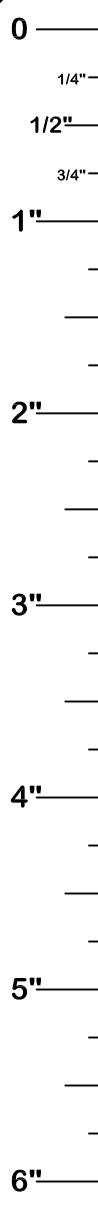
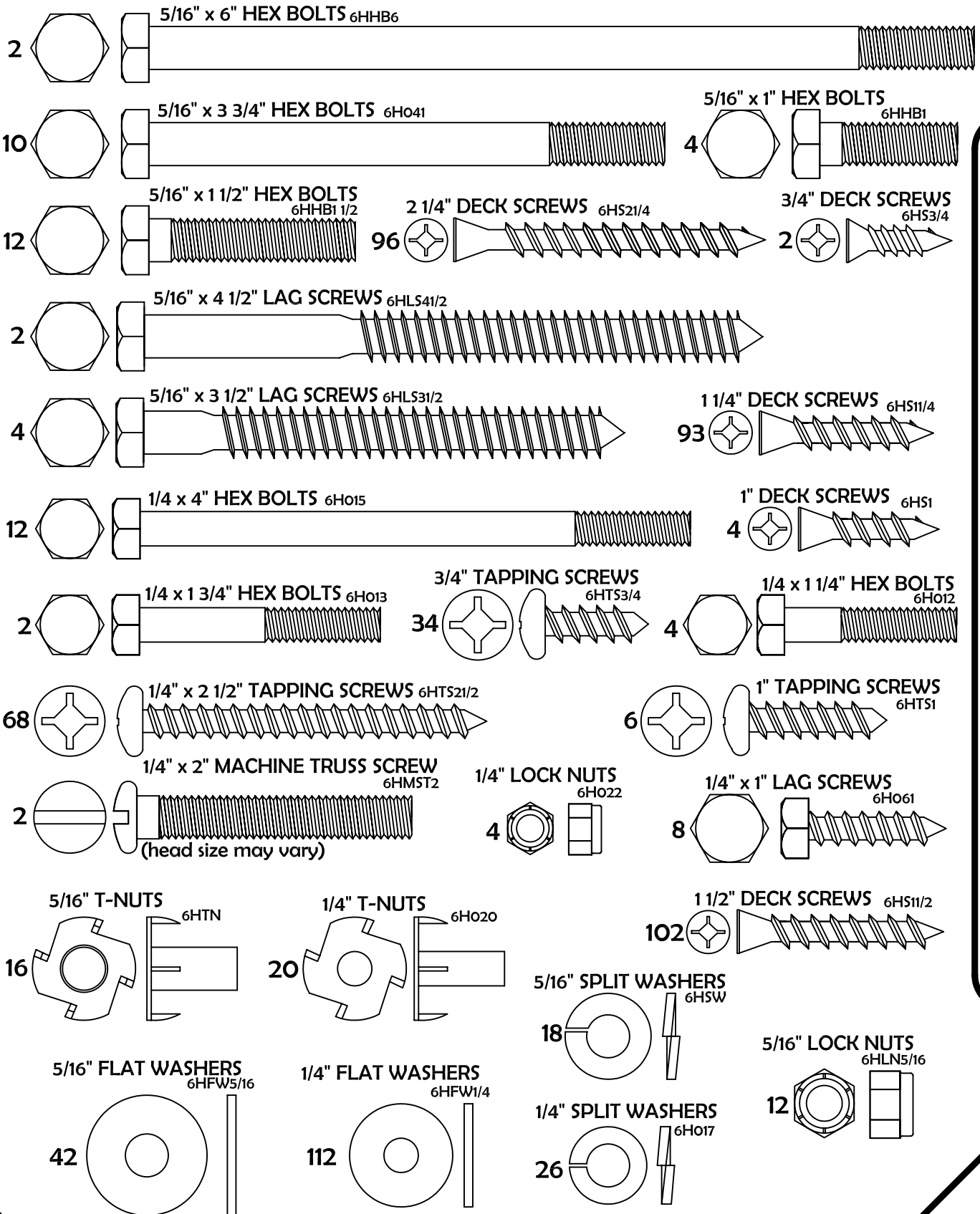


Other Accessories:

- Fort hardware bag - 6HB021
- Wave slide 10' - 6PSW10G
- Metal stakes - 6M012
- Adventure Playsets sticker - 6BLAB22

Hardware Identification

The hardware for this playset may contain (4) 1/4"x1 1/4" Machine Truss Screws.
Please disregard these screws, they will not be used.



Phase 1

Frame assembly

Note: Open hardware bag on a flat surface or in a box to avoid misplacement.

Step 1: Gather (6) uprights 'A', (2) sandbox boards 'B', (2) sandbox boards 'C', (2) floor supports 'M' and (2) floor supports 'T'.

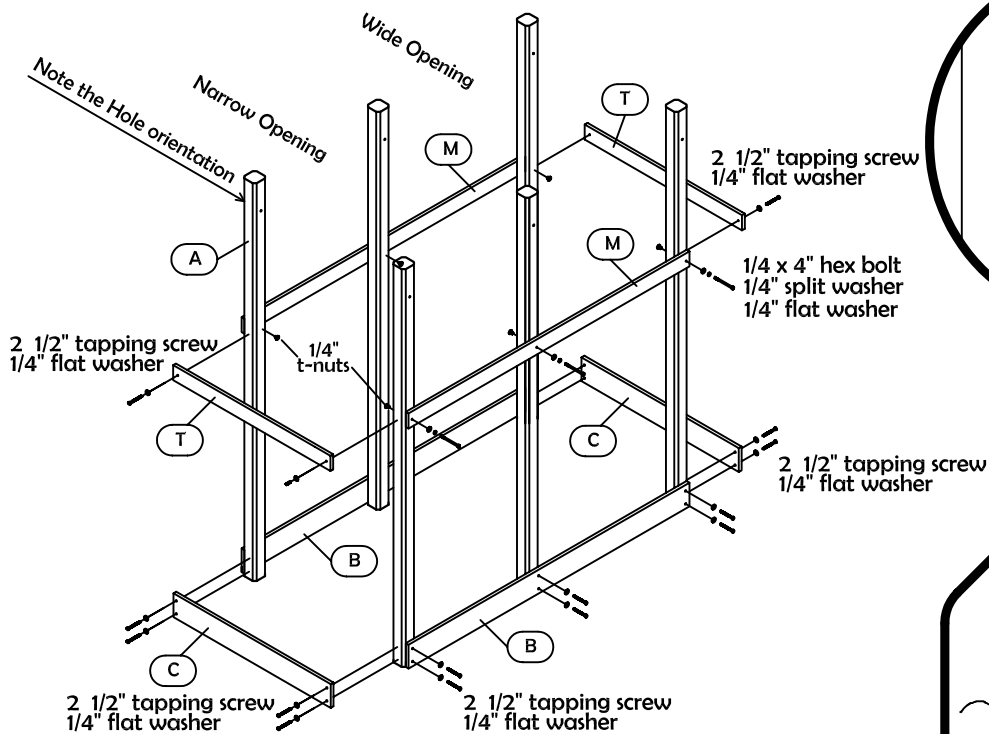
Step 2: Attach floor supports 'M' to uprights 'A' w/ 4" hex bolts and 1/4" t-nuts as shown. Hammer t-nuts into the inside of pre-drilled holes on uprights.

Step 3: Attach sandbox boards 'B' to bottom of uprights 'A' w/ tapping screws & flat washers as shown. Keep sandbox boards even w/ inside chamfer of uprights.

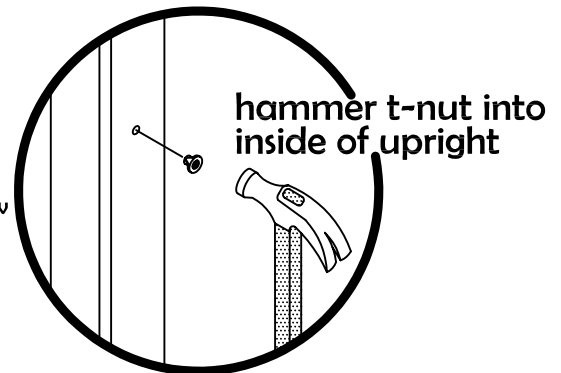
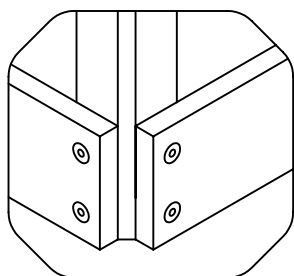
Step 4: Be sure uprights are aligned properly (one side is more narrow than the other) and attach boards 'C' and 'T' with tapping screws as shown. Keep fort rails even w/ inside chamfer of uprights.

!!NOTE: DO NOT OVER-TIGHTEN HEX BOLTS!!

Bolt should not protrude more than 2 threads past t-nut face.

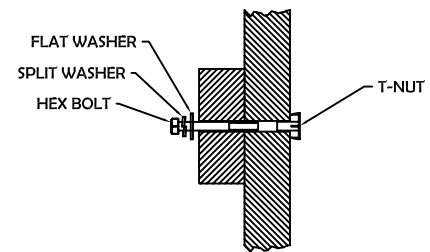


NOTE: ALL RAILS SHOULD ALIGN W/ CHAMFER ON UPRIGHTS



T-NUT DETAIL

HARDWARE ILLUSTRATION: T-NUT



Place T-nut in pre-drilled hole. Tap in with hammer. Place bolt in opposite side. Hand tighten to make sure bolt is in t-nut. Secure with socket. **DO NOT OVER TIGHTEN!**

Phase 2

Fort rail attachment

Step 1: Gather (2) fort rails 'B', (1) fort rail 'C' and (1) monkey bar rail 'D'.

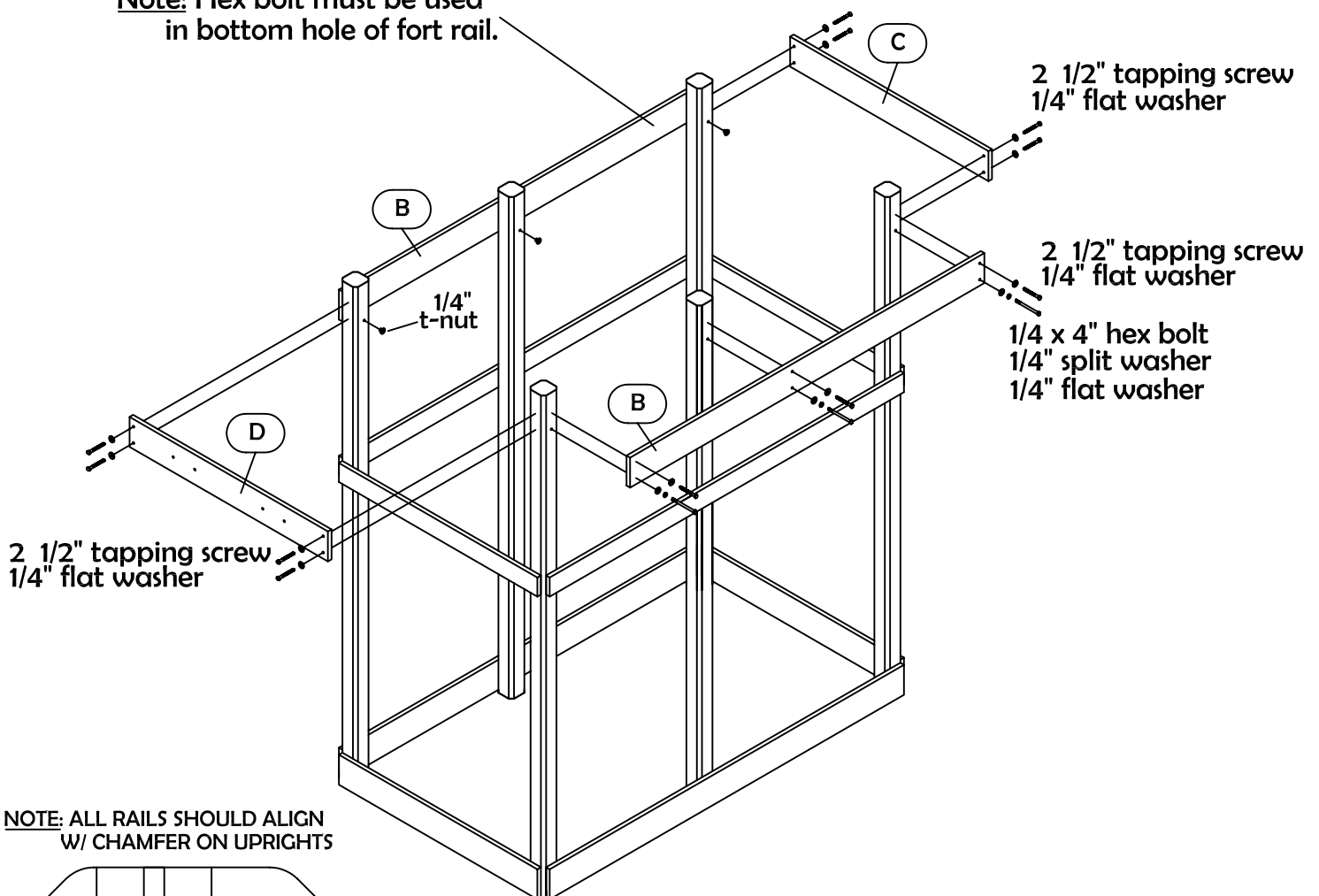
Step 2: Attach fort rails 'B' to uprights w/ 4" hex bolts and t-nuts through bottom holes and 2 1/2" tapping screws through top holes as shown.

Note: Pre-drilled holes will take bolts and t-nuts.

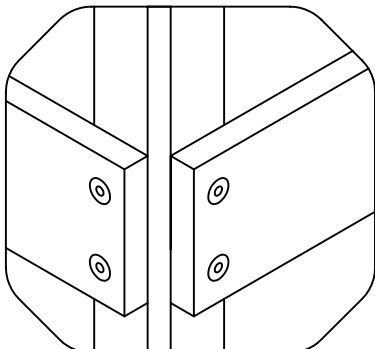
Step 3: Attach fort rail 'C' and monkey bar rail 'D' to uprights w/ 2 1/2" tapping screws as shown. Be sure monkey bar rail attaches to narrow side of fort and rails are even with Rails 'B' from Step 2.

Note: Keep frame square and level to help w/ further installation.

Note: Hex bolt must be used in bottom hole of fort rail.



NOTE: ALL RAILS SHOULD ALIGN W/ CHAMFER ON UPRIGHTS



Phase 3

Floor attachment

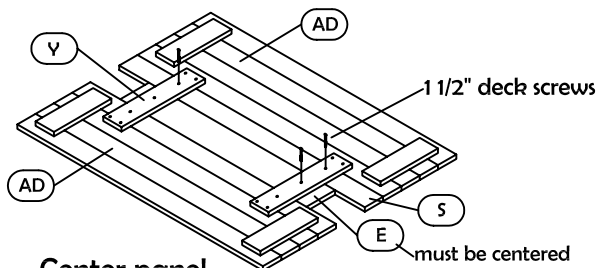
Step 1: Gather (4) panels 'AD', (3) floor boards 'E', (2) floor boards 'S', (4) cleats 'AB', (1) floor brace 'L' and (2) cleats 'Y'.

Step 2: Begin by assembling the center panel on a flat and level surface, with cleats 'Y' as shown in center panel detail. Place panel on fort, then align other floor boards and panels on fort as shown. Center end floor boards between uprights and secure with 1 1/2" deck screws where shown.

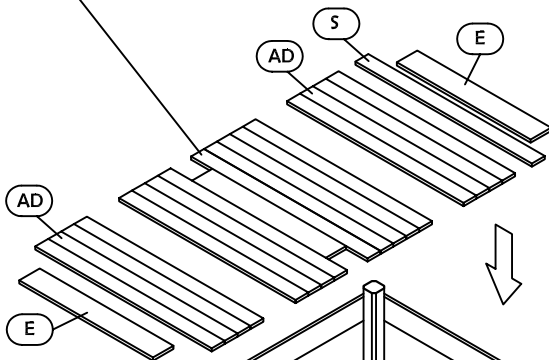
Step 3: Secure panels to fort rails where shown with L-brackets, 2 per panel. Use 3/4" tapping screws.

Step 4: Attach floor brace 'L' and cleats 'AB' to underside of fort floor with 1 1/2" deck screws as indicated. (See floor detail)

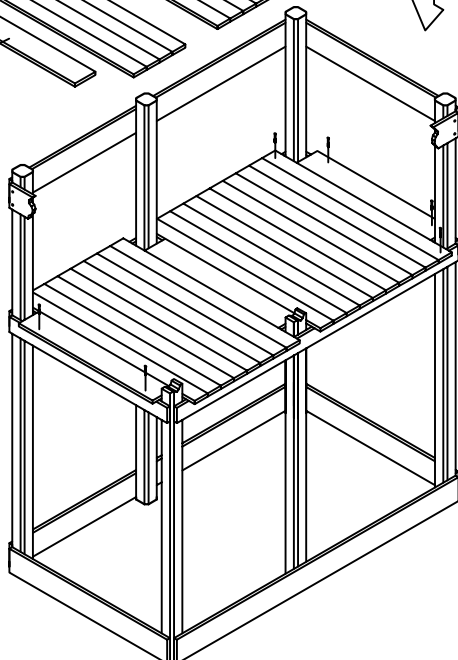
Note: Be sure all floor boards and panels are flush on outside edge before securing.



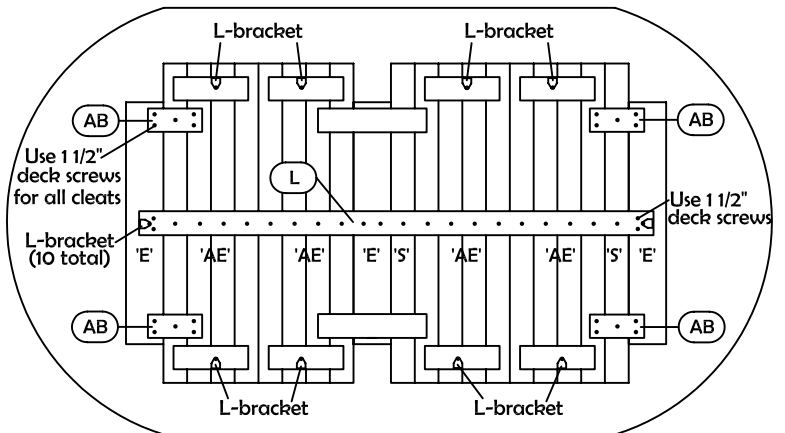
Center panel



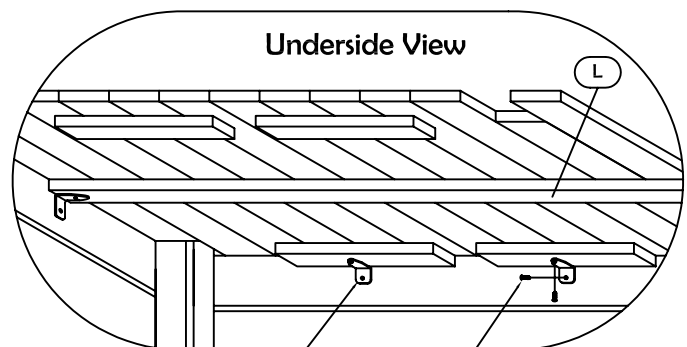
1 1/2" deck screws



FLOOR DETAIL



Bottom View



Green L-bracket (10 Total)

3/4" Tapping screws

Phase 4

Ladder assembly

Step 1: Gather (5) deck ladder rungs 'Z', (1) right ladder rail 'O', (1) left ladder rail 'P', (1) deck ladder brace 'H' and (2) L-brackets.

Step 2: Assemble ladder as shown in details below.

Step 3: Attach L-brackets to ladder rails then prop deck ladder assembly against floor support 'M' and center in opening shown. Attach L-brackets to rail with 3/4" tapping screws. (see deck ladder detail)

Note: This will help you get into the fort for the following phases.

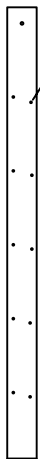
Assembly Instructions

- Place ladder rail flat with dado cuts facing up.
- Fasten rungs to rails with deck screws as shown.
- Attach deck ladder brace to back side of rails 1 1/2" down from top edge with 1 1/2" deck screws.
- Attach deck ladder to fort as shown.

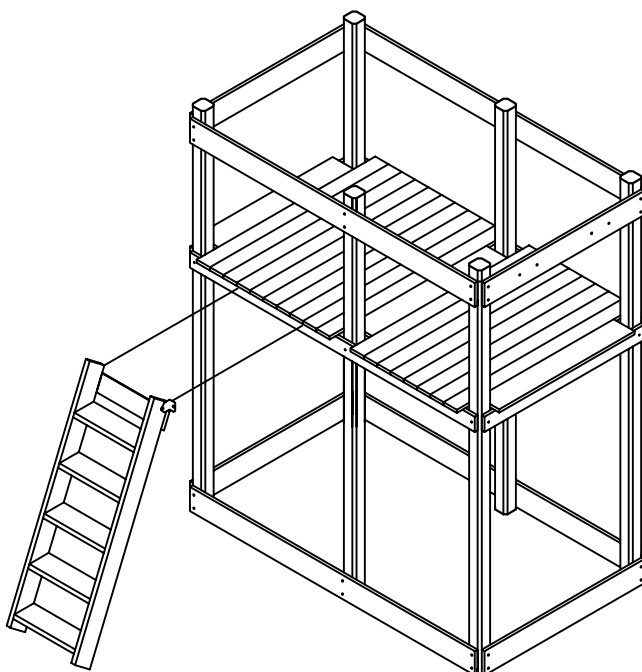
Inside view



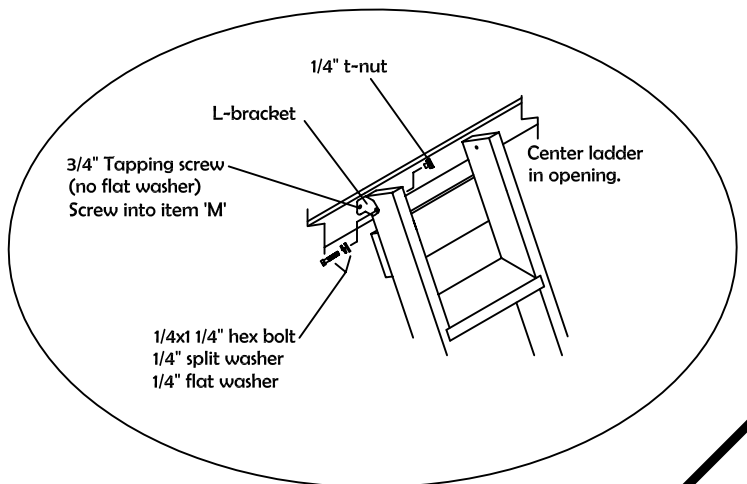
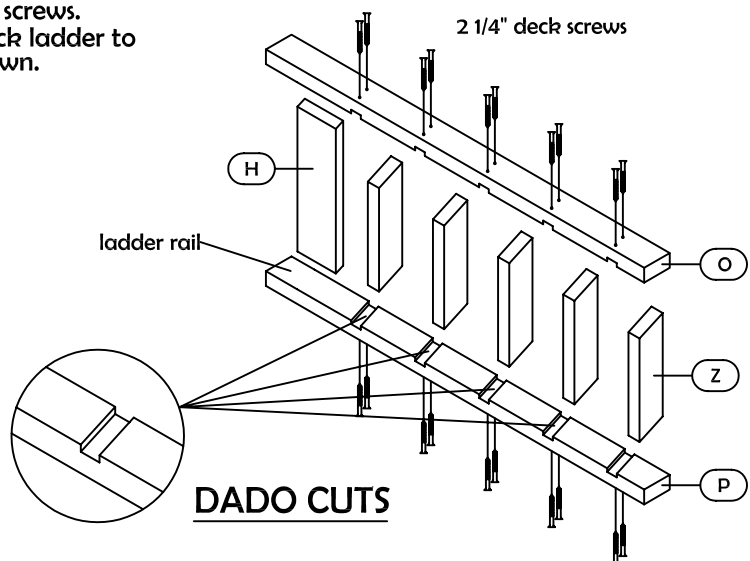
Outside view



2 1/4" deck screws
10 on each side



ROTATED VIEW



Phase 5

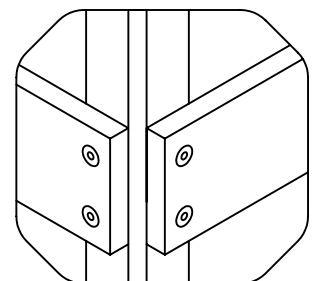
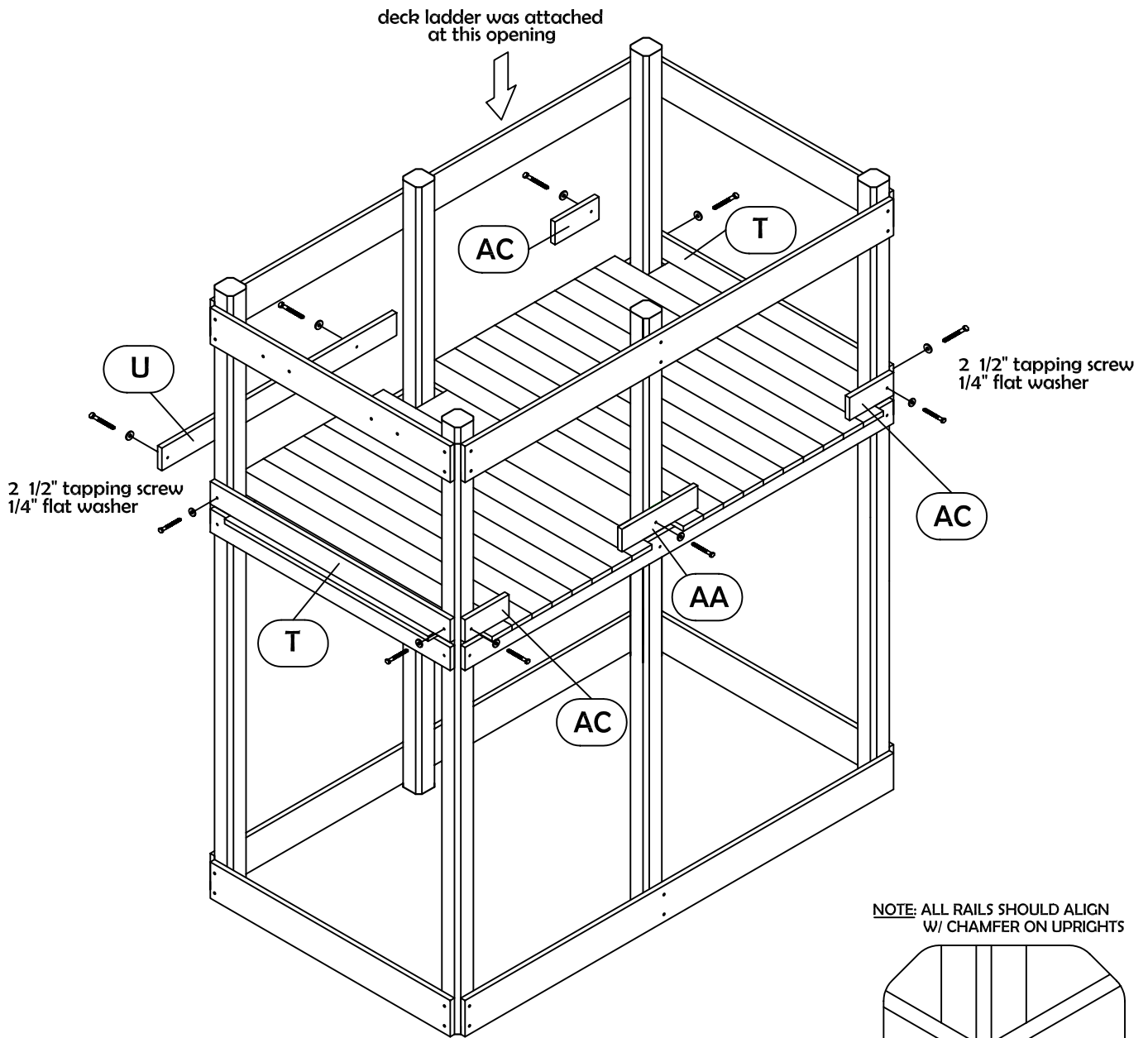
Wall rail attachment

Step 1: Gather (3) corner wall rails 'AC', (2) fort rails 'T', (1) wall rail 'U' and (1) center wall rail 'AA'.

Step 2: Attach fort rails 'T' to uprights on end of fort w/ 2 1/2" tapping screws. Rest fort rails on floor and keep ends even w/ inside chamfer of uprights.

Step 3: Attach corner wall rails 'AC' to uprights where shown with 2 1/2" tapping screws.

Step 4: Attach rails 'U' and 'AA' where shown with 2 1/2" tapping screws.



Phase 6

Wall slat attachment

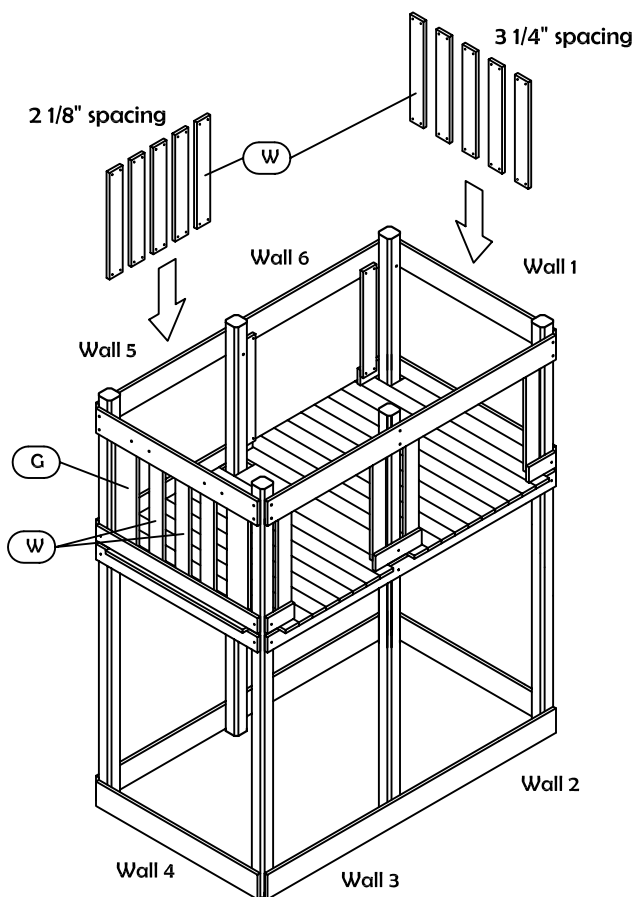
Step 1: Gather (19) wall slats 'W' and (2) wall slats 'G'.

Step 2: Attach wall slats to inside of open walls. Wall slat should be attached 2" above fort floor with 1 1/4" deck screws and flush with edge of corner rail (open wall detail).

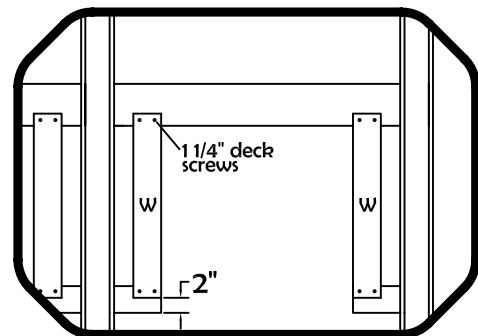
Step 3: Next attach wall slats 'W' to end wall. Use 1 1/4" deck screws for wall slats. Space boards approx. 3 1/4" apart. See end wall detail.

Step 4: Attach (3) wall slats 'W' and (2) wall slats 'G' to monkey bar wall with 1 1/4" deck screws. See monkey bar wall detail.

Step 5: Next attach (5) wall slats 'W' to remaining closed wall using 2 1/8" spacing.

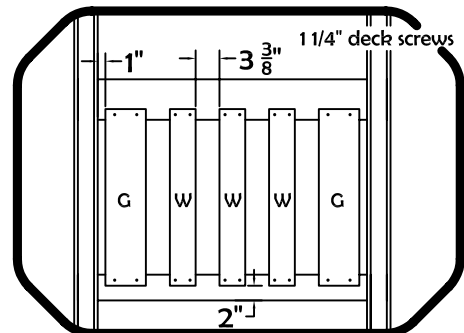


OPEN WALL DETAIL



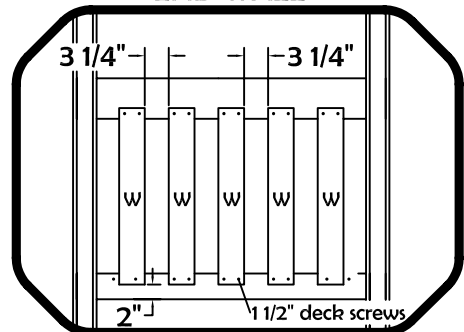
INSIDE VIEW - Wall 2,3,5 & 6

MONKEY BAR WALL



INSIDE VIEW - Wall 4

END WALL



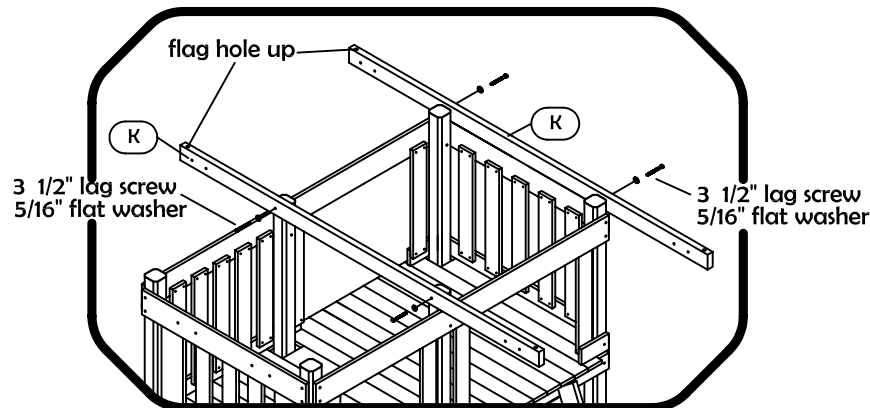
INSIDE VIEW - Wall 1

Phase 7

Roof assembly

NOTE: A HELPER IS REQUIRED W/ ASSEMBLY.

- Step 1:** Gather (2) roof braces 'K', (4) roof trusses 'R', (8) roof panels 'AD' and (4) roof plates.
- Step 2:** Attach roof braces 'K' to uprights with 3 1/2" lag screws as shown.
- Step 3:** Hammer t-nuts into inside of roof trusses before attaching roof panels.
- Step 4:** Assemble roof halves by attaching panels to roof trusses 'R' with 2 1/4" deck screws (4 per panel).
- Step 5:** Attach roof plates to braces 'K' with 5/16"x1 1/2" hex bolts, split washers, flat washers and t-nuts.
- Step 6:** Next attach roof halves to roof plates using same hardware as shown in plate detail.



Note: Place t-nuts before attaching roof panels.

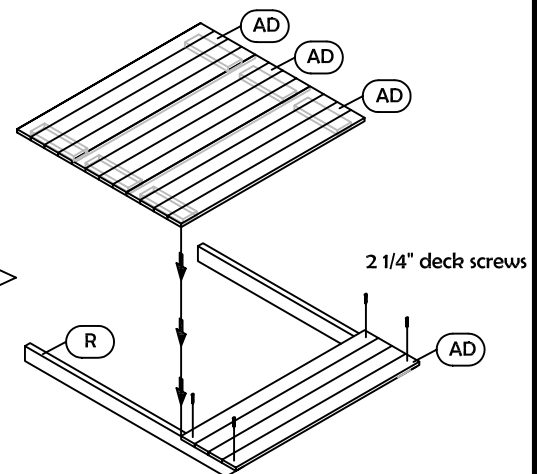
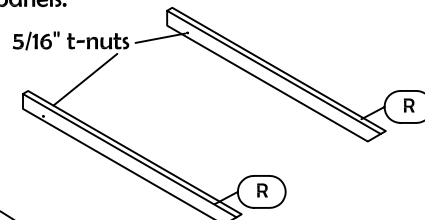
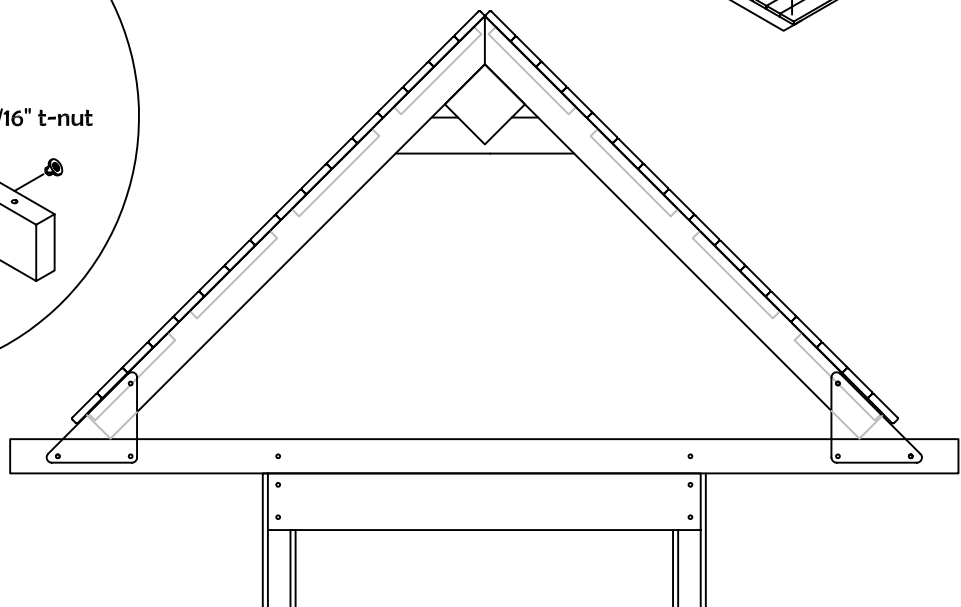
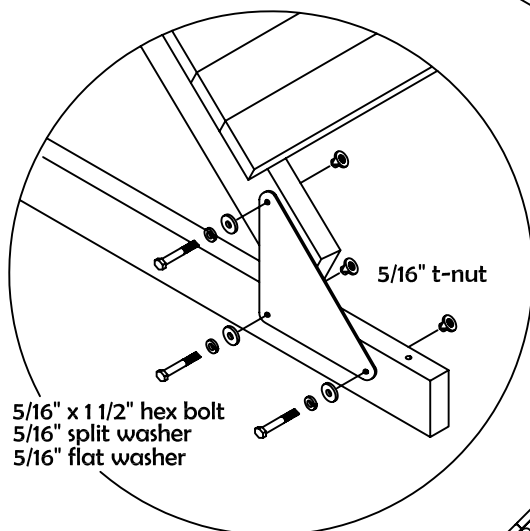


Plate detail



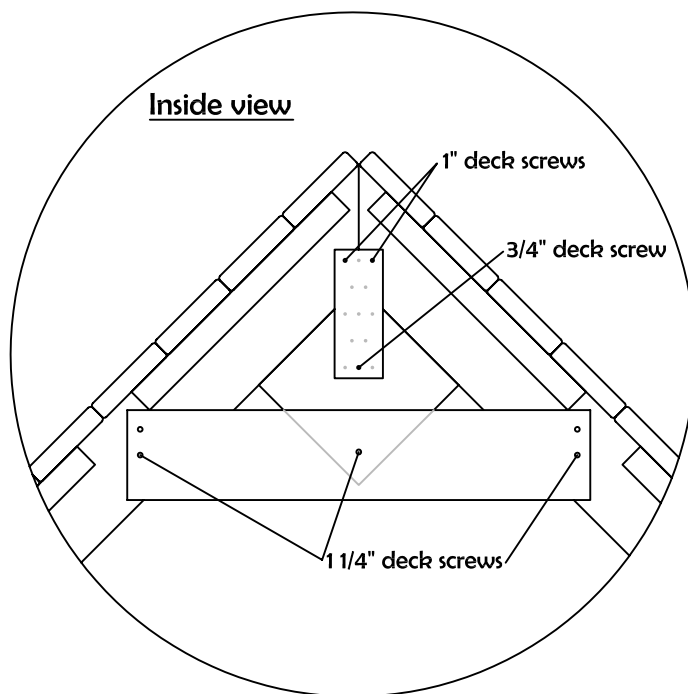
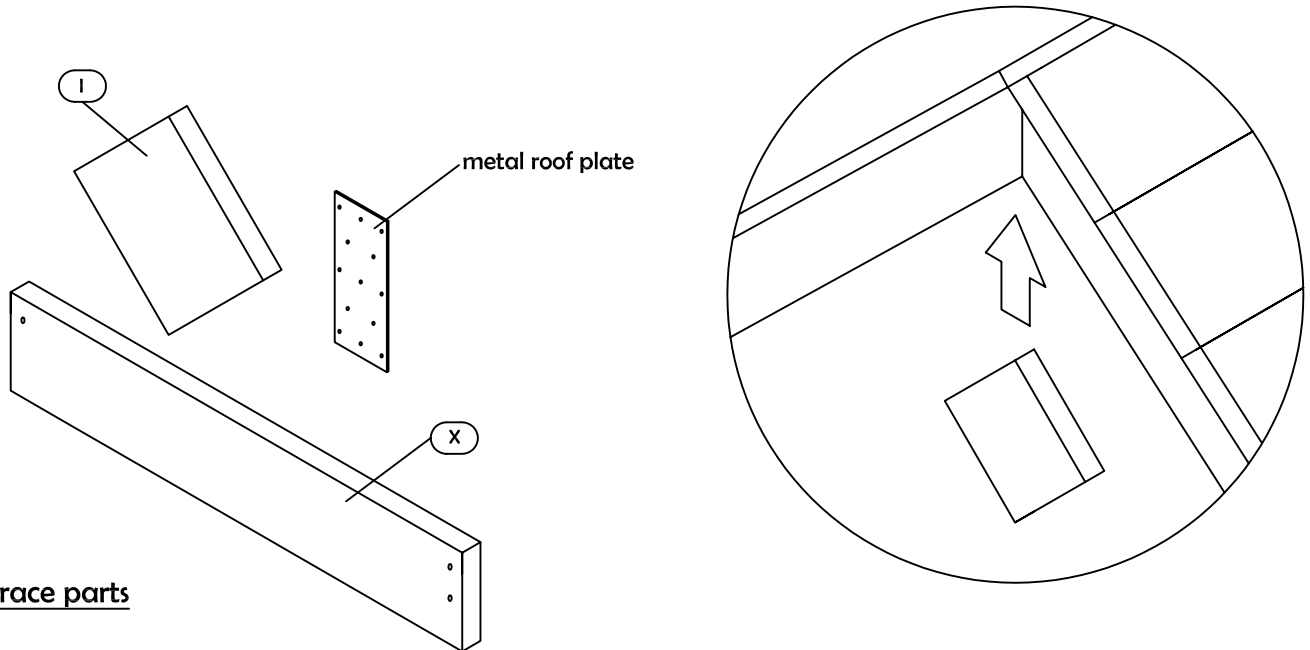
Phase 8

Roof brace attachment

Step 1: Gather (2) starburst horizontal slat 'X', (2) metal roof plates and (2) center ornaments 'I'.

Step 2: Place center ornament under roof trusses where roof halves meet and attach with metal roof plate as shown in roof brace detail.

Step 3: Attach horizontal slat 'X' with 1 1/4" deck screws to roof trusses where shown in roof brace detail.



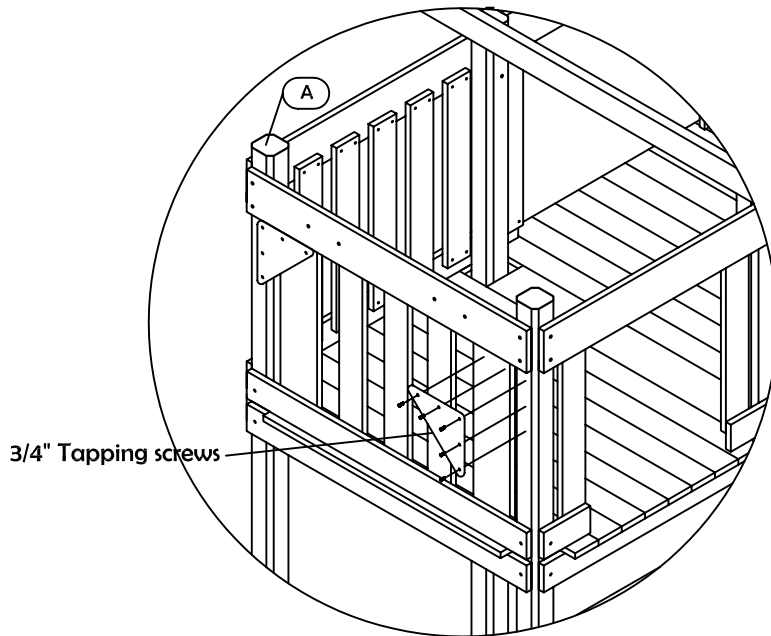
Roof brace detail

Phase 9

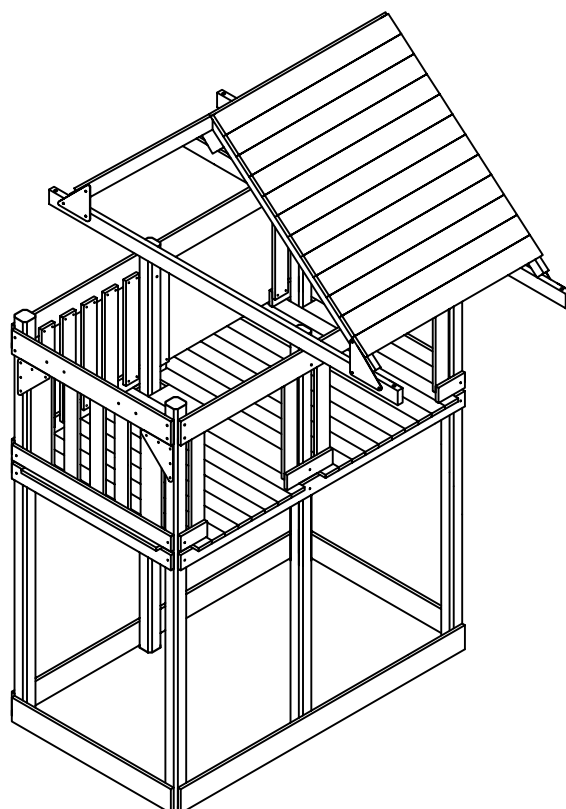
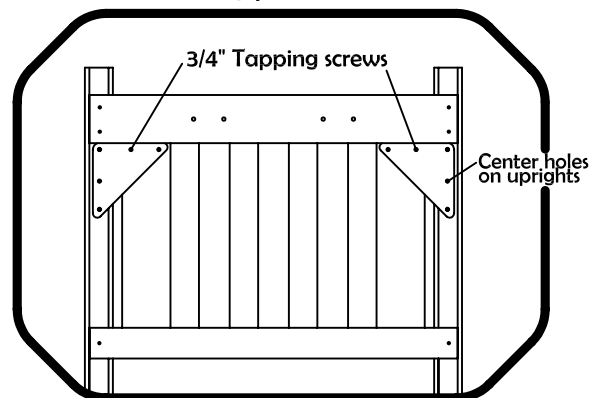
Tarp & plate attachment

Step 1: Gather (2) mending plates.

Step 2: Attach mending plates to uprights 'A' on monkey bar side of fort with 3/4" tapping screws as shown in detail below.



Mending plate detail



Phase 10

Picnic table attachment

Step 1: Gather (4) picnic rails 'T', (3) panels AE, (1) cleat 'Y' and (1) cleat 'AB'.

Step 2: Attach picnic rails 'T' to outside of uprights as follows:

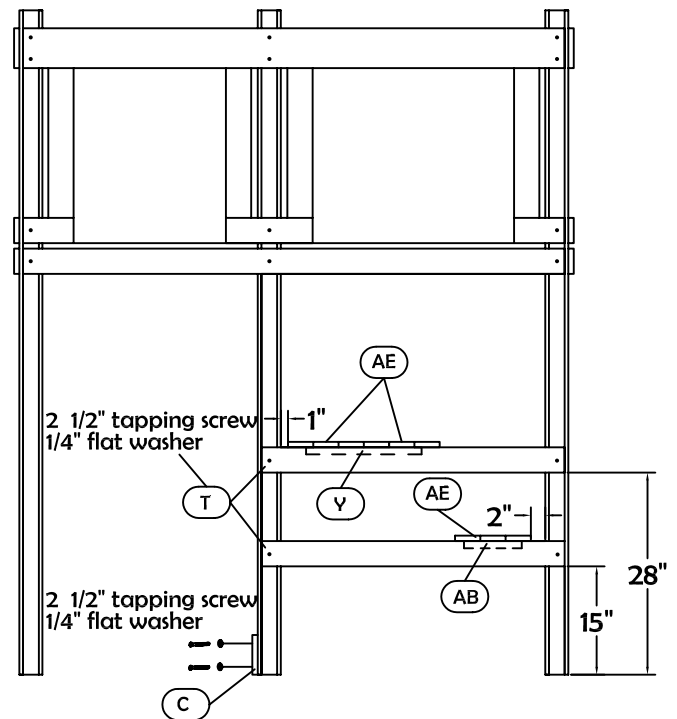
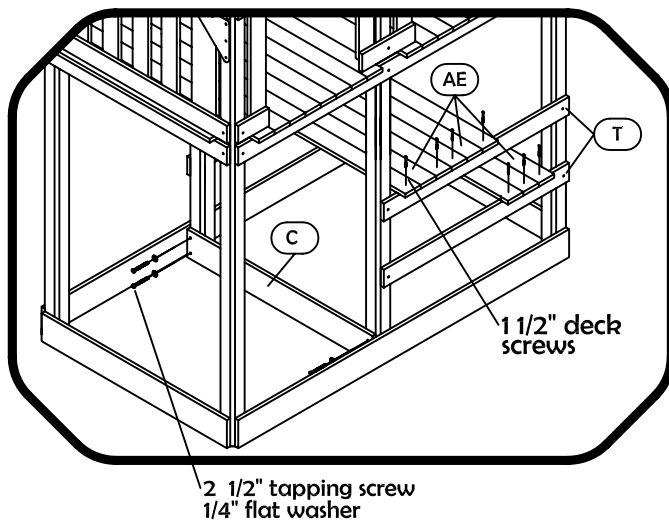
- A. Attach top picnic rails 28" from bottom of uprights to bottom of rail as shown in 'side view' with 2 1/2" tapping screws and 1/4" flat washers.
- B. Measure 15" from bottom of upright to bottom of lower picnic rails and attach with 2 1/2" tapping screws.

Step 3: Place (2) picnic table panels 'AE' on top picnic rails. Leave a 1" space between uprights and tabletop. Attach with (4) 1 1/2" deck screws per panel into picnic rails 'T'.

Step 4: Place (1) panel 'AE' on lower picnic rails. Measure 2" from inside of uprights and attach with (6) 1 1/2" deck screws per panel into rails 'T'.

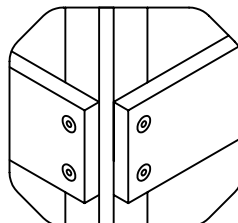
Step 5: Center cleat 'Y' on bottom of picnic table panels and attach with (6) 1 1/2" deck screws (one per panel board) on bottom side. Attach cleat 'AB' to bottom of picnic bench with (3) 1 1/2" deck screws (one per panel board).

Step 6: Attach sandbox board 'C' to bottom of center uprights with 2 1/2" tapping screws as shown.



Side View

NOTE: ALL RAILS SHOULD ALIGN
W/ CHAMFER ON UPRIGHTS



Phase 11

Rockwall attachment

Step 1: Gather (10) rockwall boards 'F', (2) rockwall brace 'Q', (1) wall slat 'G', (1) rockwall rail 'V', rock hardware bag and (2) L-brackets.

Step 2: Assemble rockwall as shown in the details.

A: Hammer t-nuts into back of rockwall boards.

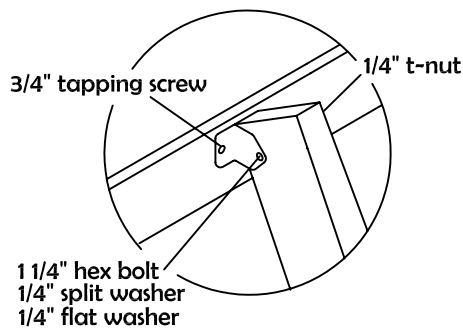
B: Attach 'G' then rockwall boards 'F' to rockwall supports using (4) 2 1/4" deck screws per board. Rockwall boards should be touching. ('step B' detail)

C: Using the flat head bolts and screws provided, attach climbing rocks to rockwall boards. ('step C' detail)

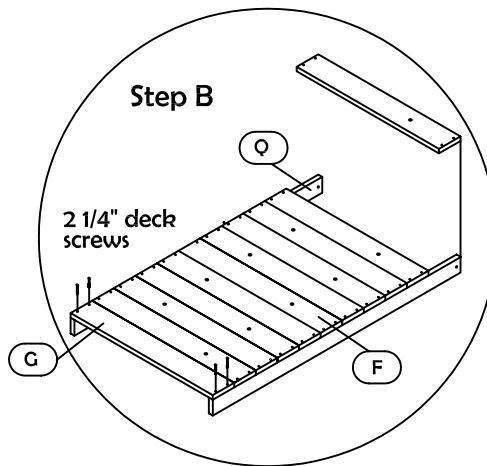
Step 3: Attach rockwall rail 'V' to back of uprights with 2 1/2" tapping screws and 1/4" washers on rockwall side of fort just below floor support 'M'. Rockwall will attach to this board.

Step 4: Attach rockwall with L-brackets centered on 'V' as shown. (See 'L-bracket' and 'attachment' details)

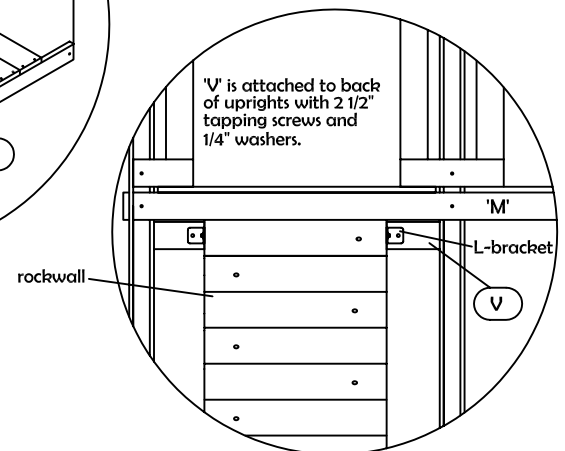
L-bracket detail



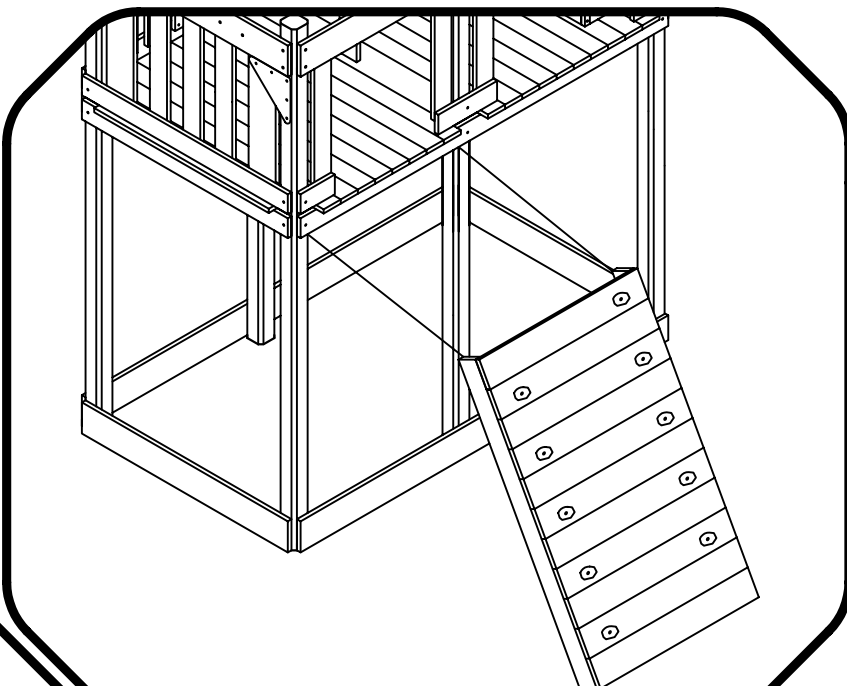
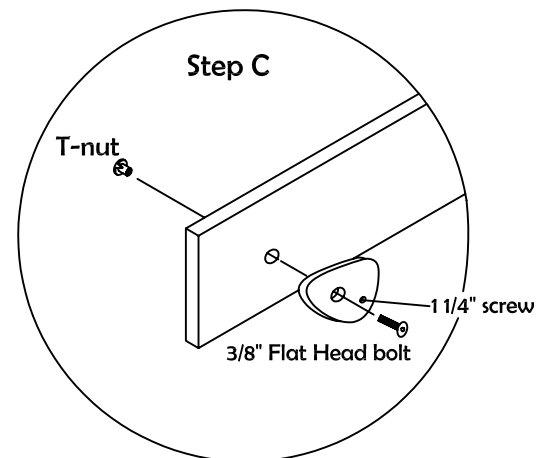
Step B



Attachment detail



Step C



Phase 12

Monkeybar assembly

Step 1: Gather (2) end ladder braces 'N', (1) ground beam 'J', end ladder assembly, top ladder assembly, (4) L-brackets and (4) triangle end ladder braces.

Step 2: Attach ground beam 'J' to end ladder with 2 1/2" tapping screws as shown.

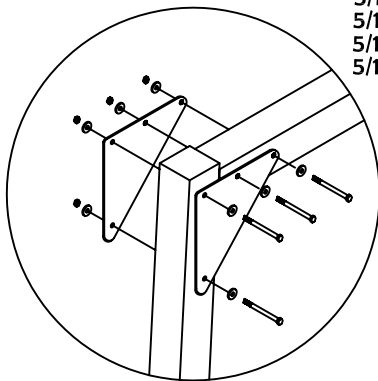
Step 3: Attach end ladder braces 'N' to ground beam w/ 1 3/4" hex bolts and t-nuts as shown below. Lag top of braces to end ladder with 4 1/2" lag screws as shown.

Note: Top ladder has pilot holes for swing hangers and must be facing down before attaching to end ladder.

Step 4: Attach top ladder to end ladder assembly w/ triangle end ladder braces, using 5/16x3 3/4" hex bolts, washers and lock nut. Top ladder end w/ 2 holes must attach to triangle braces. (See detail 1.)

Step 5: Attach (2) L-brackets to each top ladder rail with 5/16x3 3/4" hex bolts, flat washer, flat washer and lock nuts, (the rounded end of the L-bracket should attach to top ladder) (See detail 2.)

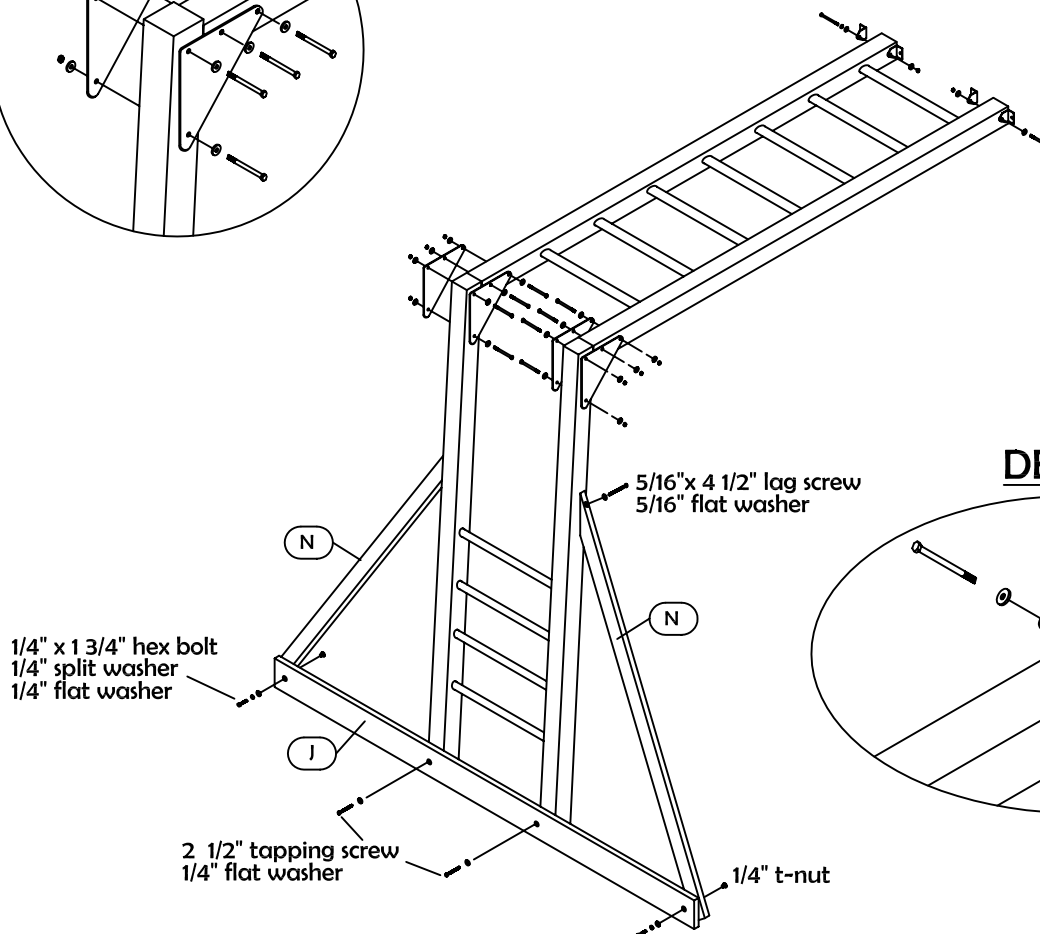
DETAIL 1



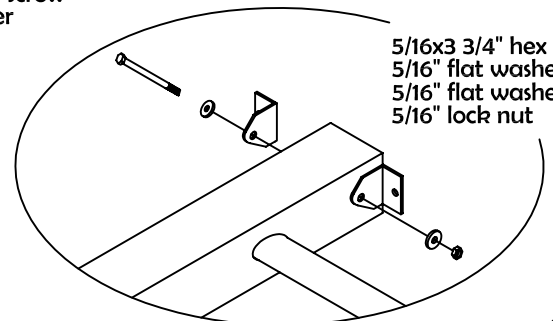
5/16x3 3/4" hex bolt
5/16" flat washer
5/16" flat washer
5/16" lock nut



Note: The Top Ladder has small 1/4" holes on one side of the rails. Make sure these holes are facing down before attaching top ladder to end ladder.



DETAIL 2



5/16x3 3/4" hex bolt
5/16" flat washer
5/16" flat washer
5/16" lock nut

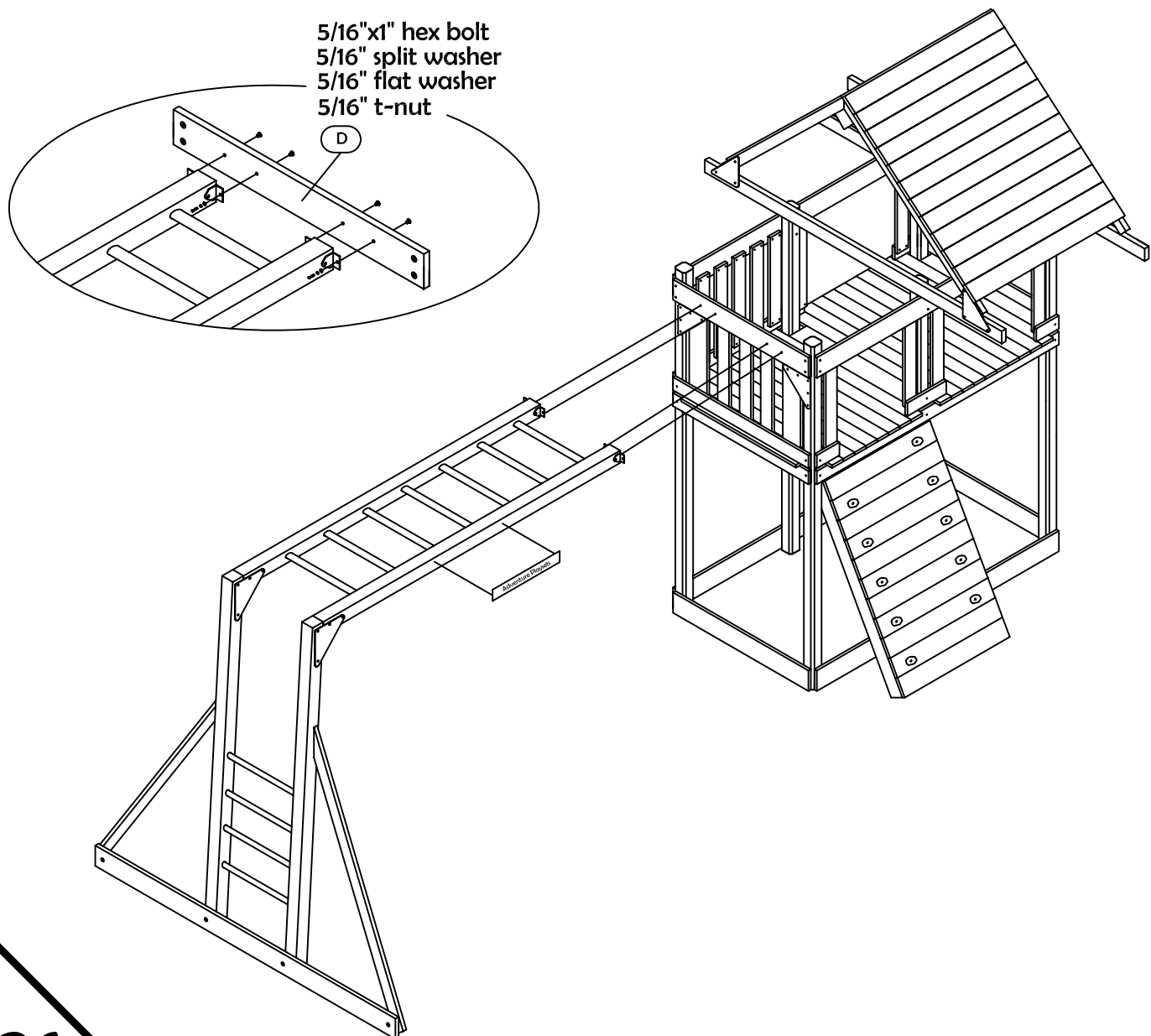
Phase 13

Monkeybar attachment

Step 1: Position top ladder so that L-bracket holes align with pre-drilled holes on monkey bar cross brace 'F' and attach with 5/16"x 1" hex bolts, flat washer, split washer and t-nut.

Step 2: Glider and swings may require assembly. Refer to swing seat and glider detail in phase 15 before attaching to top ladder.

Step 3: Attach adventure playsets sticker to monkey bar top ladder.



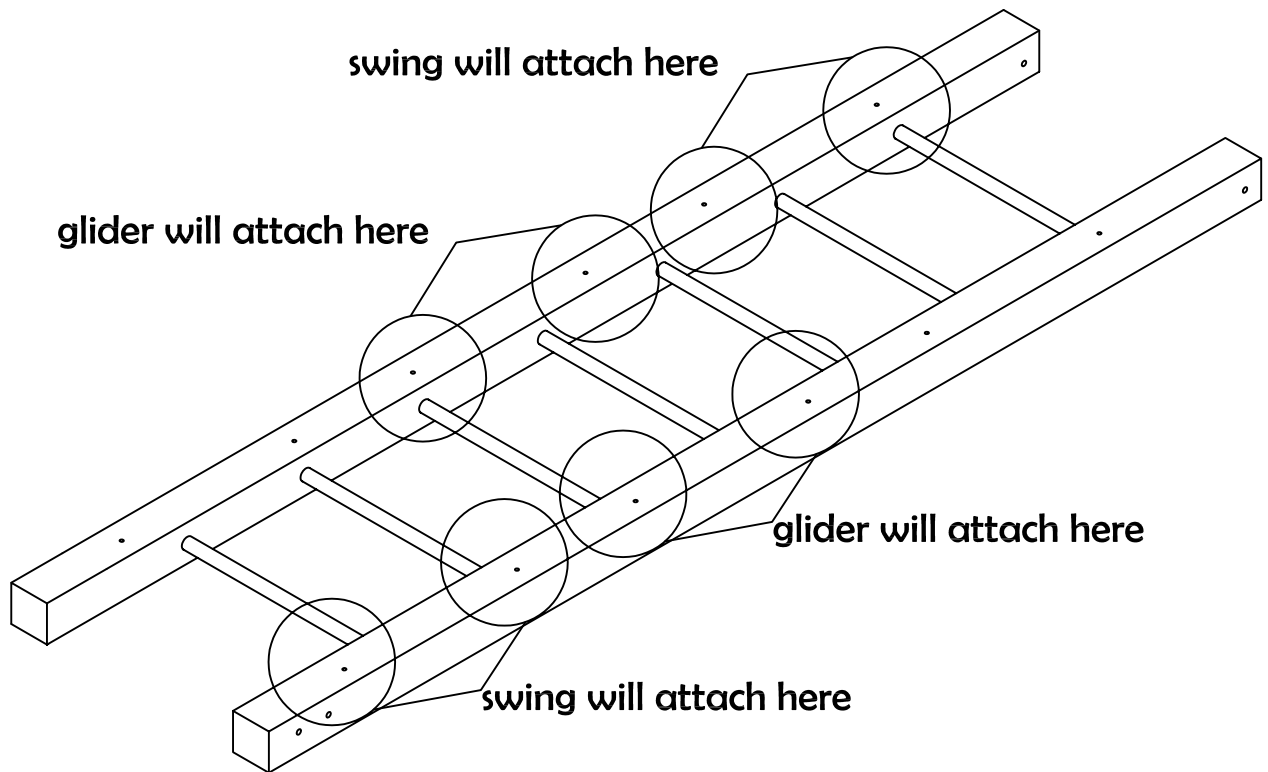
Phase 14

Swing hanger placement

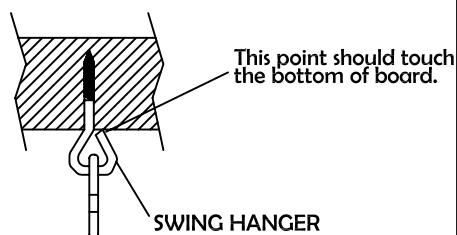
Step 1: Gather (8) lag screw swing hangers.

Step 1: Screw Lag Swing Hangers into pilot holes on top ladder in pattern as shown below.

Put Swing Hangers in circled holes!



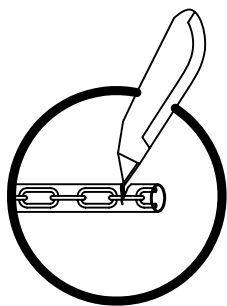
HARDWARE ILLUSTRATION: SWING HANGER



The Lag Screw Swing Hanger must be screwed in so that the tip of the swing hanger is touching the receiving board.
NOTE: Triangular bend on swing hanger must run parallel with board

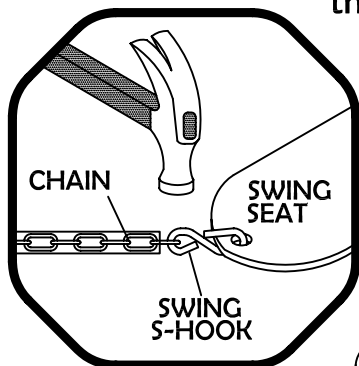
Phase 15

Swing assembly



Trim plastic coating on chain with scissors or knife to reveal last whole link. Remove partial link and discard. Do this on both ends of each chain to help with s-hook attachment.

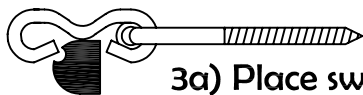
Step 1: Attach the S-hooks to the swing seats. Slide the bigger end of the S-hook into the hole located on swing seat. Close S-hook with hammer as shown in detail.



Note: The bigger opening on the S-hook will be the end that will attach to the swing seat.

Step 2: Attach 57" chain to smaller end of S-hook and close with hammer.

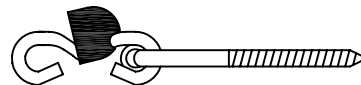
Step 3: Attach plastic swing hanger cover to swing hanger as shown below.



3a) Place swing hanger through opening of cover.



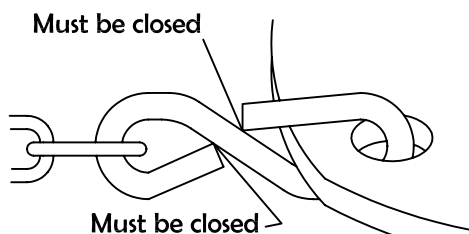
3b) Work cover around the curves of the swing hanger



3c) Loop chain over swing hanger, flip cover over and place over opening.

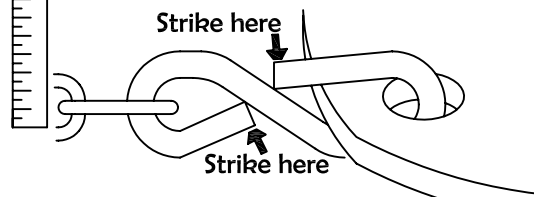
Step 4: Attach opposite end of chain to swing hangers.

HARDWARE ILLUSTRATION: 'S'-HOOK



NOTE: FOR YOUR CHILD'S SAFETY, MAKE SURE THAT THE HOOKS ARE COMPLETELY CLOSED AND THE CHAINS CANNOT PULL OFF THE HOOKS.

INSTALLATION TIP



When closing S-Hook, strike hook on outermost edge. Its not how hard you strike the hook, but consistent hammering heats the metal and closes the hook.

Phase 16

Glider assembly

Step 1: Gather (2) Glider Arms, (1) Glider Seat & (2) Glider Chains

Step 2: Feed one chain through each glider arm as shown to allow attachment to swing hanger.

Step 3: Next, slide plastic caps over ends of glider chains to cover glider arm holes.

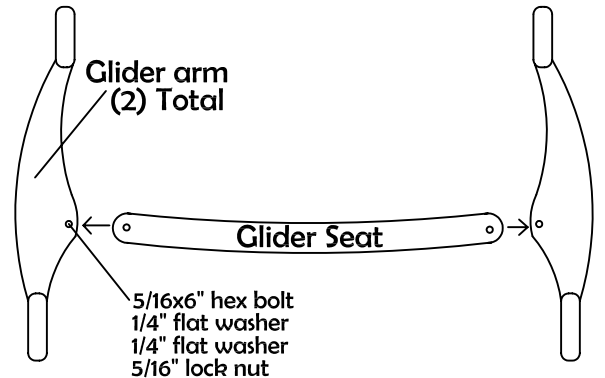
Step 4: Insert glider seat into glider arms & attach w/ (2) 6" hex bolts, (4) 1/4" flat washers & (2) 5/16" lock nuts.

Step 5: After assembly is complete, attach glider to swing hangers located on monkey bar. (see Phase 14)

Note: You must adjust the height of the glider with the chain so that the glider meets the following ground clearances.

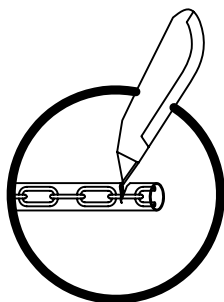
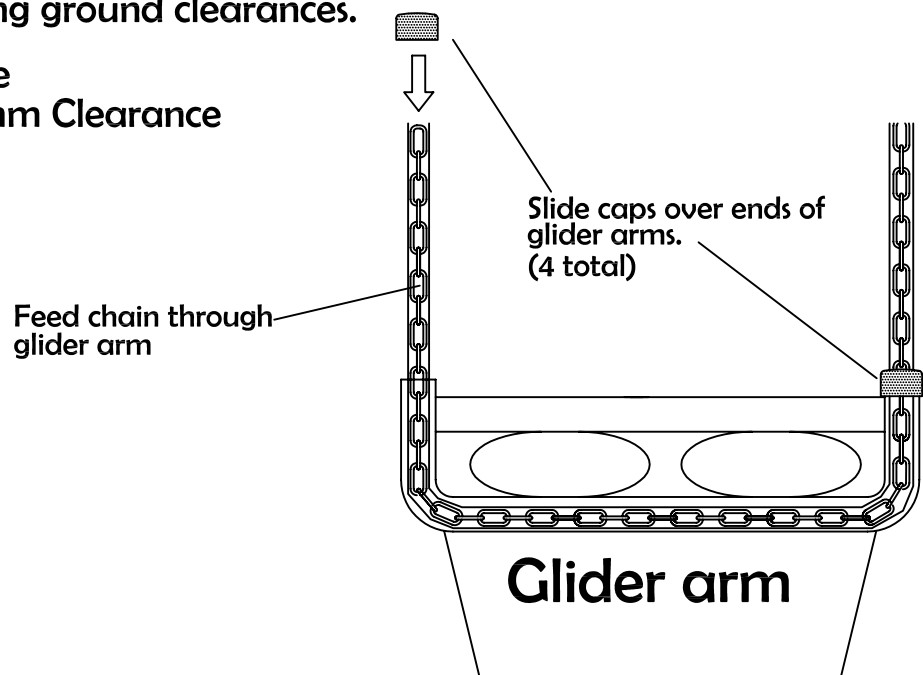
U.S. - 8" Clearance

European - 400mm Clearance



Note: Do not over tighten. Bolt should not protrude past lock nut.

Side view of glider



Note:

Before inserting chain through glider arm, trim plastic coating on chain with scissors or knife to reveal last whole link.

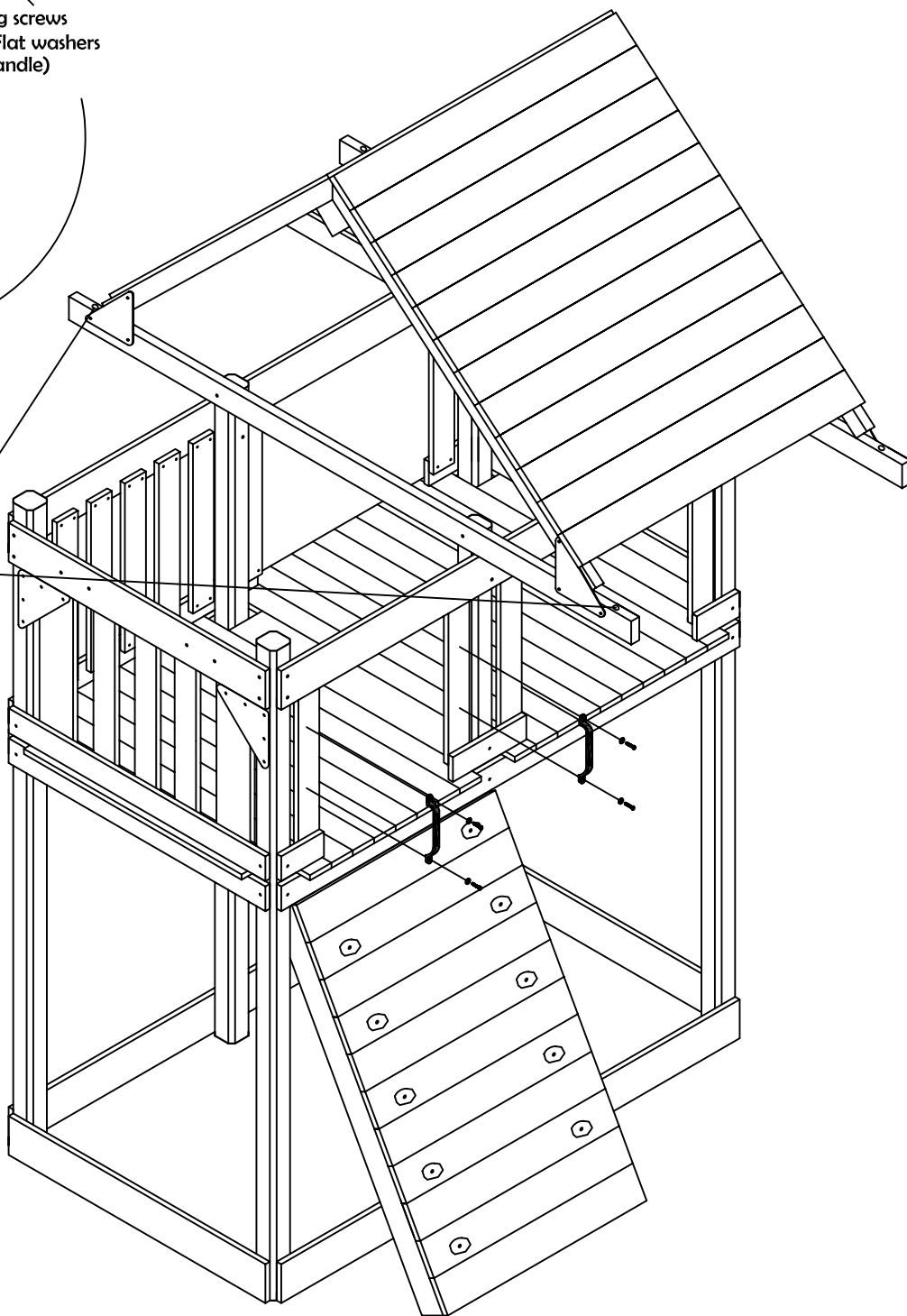
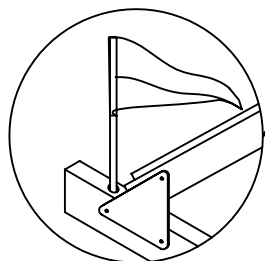
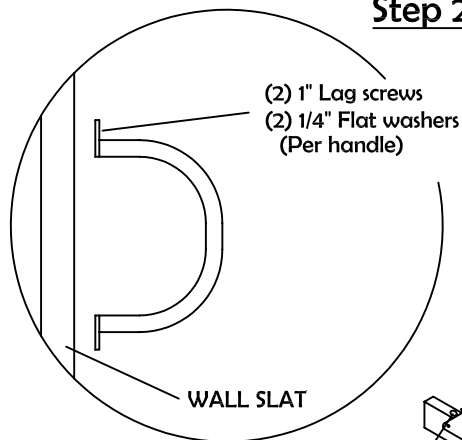
Remove partial link and discard. Do this on both ends of each chain to help with assembly.

Phase 17

Handle & flag attachment

Step 1: Four of wall slats 'W' will take yellow handles. Center handles on wall slats above both rockwall and deck ladder. Attach using hardware shown. (Do not use hardware in handle package)

Step 2: Place flags in holes on tarp cross braces as shown.



Phase 18

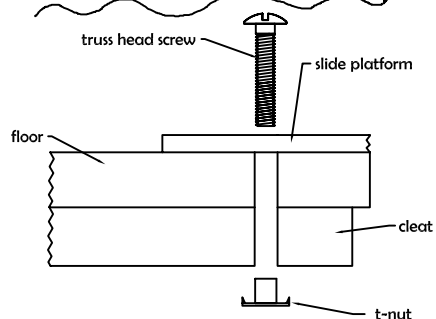
Slide attachment

Step 1: Center wave slide in opening opposite the deckladder. Position slide so that holes are 4" from end of floor boards. (This will ensure that slide bolt will attach in center of cleat.)

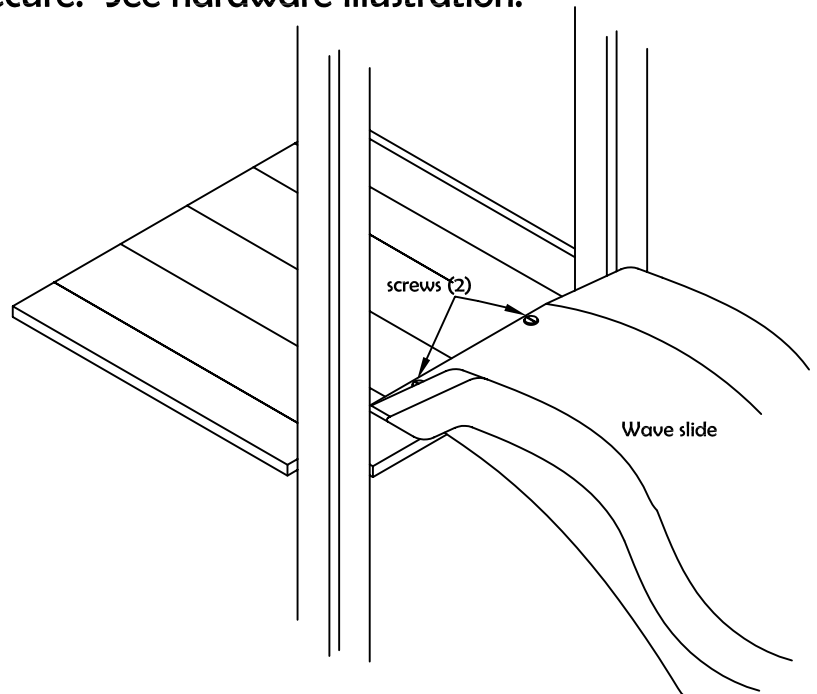
Step 2: Drill (2) 5/16" holes through holes in slide and through the fort floor.

Step 3: Insert a 1/4" t-nut into underside of holes in floor then place a 1/4 x 2" machine truss screw into each hole and secure. See hardware illustration.

HARDWARE ILLUSTRATION: TRUSS HEAD SCREW



Place t-nut in drilled hole. Tap in with hammer. Place screw in opposite side. Hand tighten to make sure screw is in nut. Secure with screwdriver. DO NOT OVER TIGHTEN!

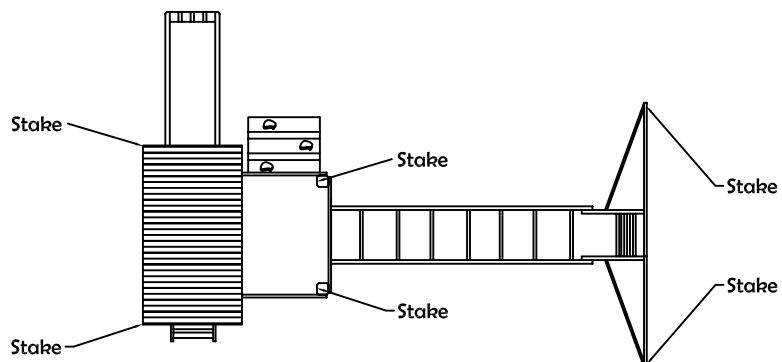
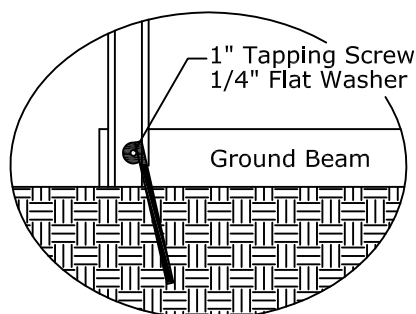


Phase 19

Anchoring Instructions

Step 1: Drive Stakes into ground where shown below and attach with 1" tapping screws and 1/4" flat washers to bottom of uprights.

Note: Failure to use stakes can void warranty & cause injury.



Final Step: Double check and make sure every bolt, screw and nut is tight, every board is secure, and enjoy.

Frequently Asked Questions

Q: What size of play area do you recommend around the playset so my child may play safe??

A: We recommend at least a six-foot play perimeter around the playset.

Q: My swing set seems to sway or rock too much. What is wrong?

A: Rocking is caused by uneven ground or obstructions such as rocks, roots, etc. under the ground rails. These obstructions should be removed and the ground underneath leveled to prevent rocking. If the fort itself is moving, it is usually caused because the fort is not staked down. Staking is required and will stop most of the movement.

Q: The end ladder is not straight up and down. What is wrong?

A: Nothing is wrong. The end ladder does not form a 90° angle. It has an angle to it.

Q: The S-hooks for my swings won't close. What is wrong?

A: The S-hook must be on a solid foundation when trying to close. It takes quite a few strokes, but the S-hook will close.

Q: The top ladder does not have holes for the swing hanger lags. Why not?

A: The top ladder is probably installed upside-down.

Q: My wood appears to be cracking. Is that a problem?

A: No, expansion and contraction of wood due to weather changes will cause slight cracking (technically called checking) and distortion. These are natural characteristics of wood and do not affect the structural integrity of the playset.

Q: My 2x4 boards do not measure 2"x4". Why not?

A: It has been common practice in the U.S. to use the rough-cut dimension from a sawmill to describe the width and height of a particular piece of lumber. Many retailers, designers, contractors and manufacturers utilize this description with a common and accepted knowledge that the actual size will vary from this description. Our sets are designed using the actual dimension. This ensures the sets will be assembled properly and be safe for the recommended use.

Q: How often should I re-stain my playset and what should I use?

A: The playset should be checked at least once a year depending on the weather. Lightly sand any rough areas and re-stain the set with a waterborne transparent stain.

Limited Warranty

Adventure Playsets Inc. insures to the original owner of our product, that the components of our set are free from defect in materials and will be warranted for one year from the date of purchase. In addition, all wooden components will be warranted against rot or insect damage for 12 Years to the original owner. All non-wood components will carry a one-year warranty only.

All defective parts that are discovered and reported in the first thirty days after purchase will be replaced at no charge to the registered customer. After thirty days of purchase shipping and handling charges for replacement warranty parts will be passed on to the consumer.

All returned goods will be accessed by our customer service department. We will not accept any goods without an authorization code. Our customer service department will give out all codes. Failure to supply authorization code with shipment will void all said warranty. Our customer service department can be reached at 1-800-856-4445.

This Limited Warranty does not cover the following:

- ❑ The cost of labor required to re-install or disassemble the defective component.
- ❑ The cost of air freight
- ❑ The cost of freight after the initial 30 days from purchase.
- ❑ Cosmetic defects that do not affect the structural integrity of the play center.
- ❑ Any abnormal conditions such as vandalism, improper installation, misuse or abuse, or improper maintenance.
- ❑ Damage done by nature such as wind, lightning, severe weather, etc...
- ❑ Natural defects of wood such as warping checking or any other physical properties of wood that do not present a hazard.

Adventure Playsets products have been carefully designed to insure your child's safety. Any modifications to your playsystem could result in serious injury as well as void all warranties.

Our playsets are designed for Residential use only, for children between the ages of 3 and 10, for a single-family dwelling. Commercial use such as nurseries, parks or schools, voids all warranties and liabilities.

Warranty claim procedure

If you are confident that your playsystem has been installed and maintained properly, and you have a warranty claim, proceed with the following steps:

1. We will need copy of your proof of purchase (Vendor sales receipt only.)
2. We require a brief written description of the warranty issue.
3. Photos of warranted parts and of the entire play system.

If **any** of the above steps are not completed, there may be delays in the completion of your claim, or possibly warranty cancellation.

Mail information to:

**Adventure Playsets
14201 I-27
Amarillo, Texas
79119**

or email at

customerservice@adventureplaysets.com

Our customer service department will review the claim and make contact with the customer by mail or by phone. The customer will only pay for shipping and handling to and from factory if warranty is approved.

1-800-856-4445

Service department hours Monday thru Friday 9am to 5pm

Saturday 9am to 2pm

Central standard time

Customer Registration Card

Name: _____

Address: _____

City: _____ State: _____ Zip: _____

Home Phone _____

Date of Purchase _____

Vendor Name _____

City: _____ State: _____ Zip: _____

Unit Model: _____

Please check the boxes below:

How old are you?

18-30 31-43 44-56 Older than 56

How would you rate the quality of our product?

Above Average Average Fair Poor

How would you rate the ease of assembly of our product?

Above Average Average Fair Poor

How would you rate our instructions?

Above Average Average Fair Poor

Would you recommend our product to friends & family?

Yes No

How old are your children?

3-4 5-6 7-8 9-10

Where did you hear about us?

Friend Store Display Advertisement Internet

Comments: _____

Customer Registration Card

**Do not forget to send in your registration card to the factory.
This card will validate your time of purchase for warranty items.**

Fold here

Place
stamp
here

Adventure Playsets
14201 I-27
Amarillo Texas, 79119